

FE2owlet

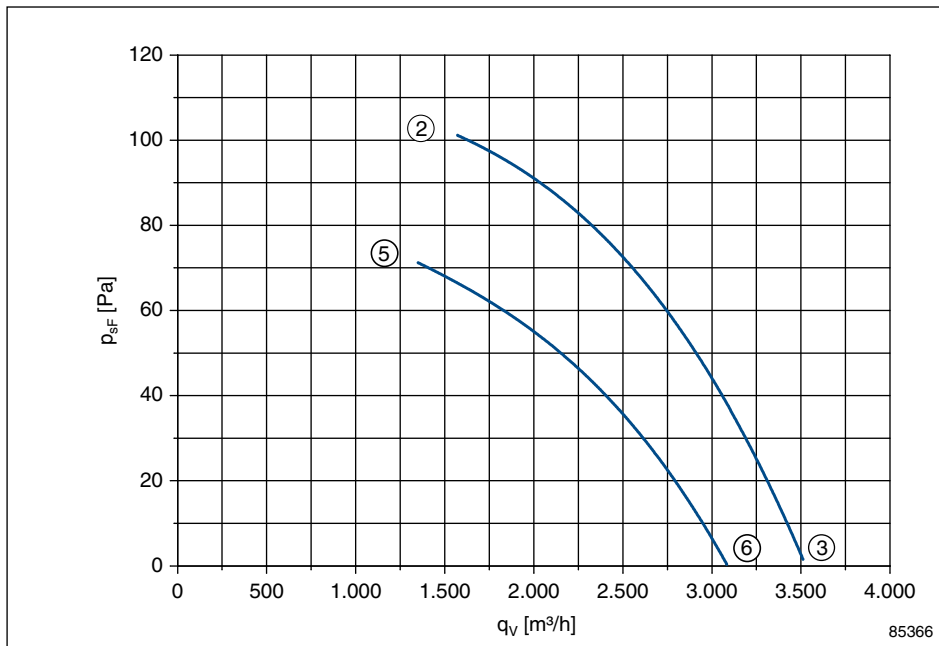
FN035-VD_0F_7P2

Leistungsdaten Performance data

3~ 400V ±10% Δ/Y 50Hz

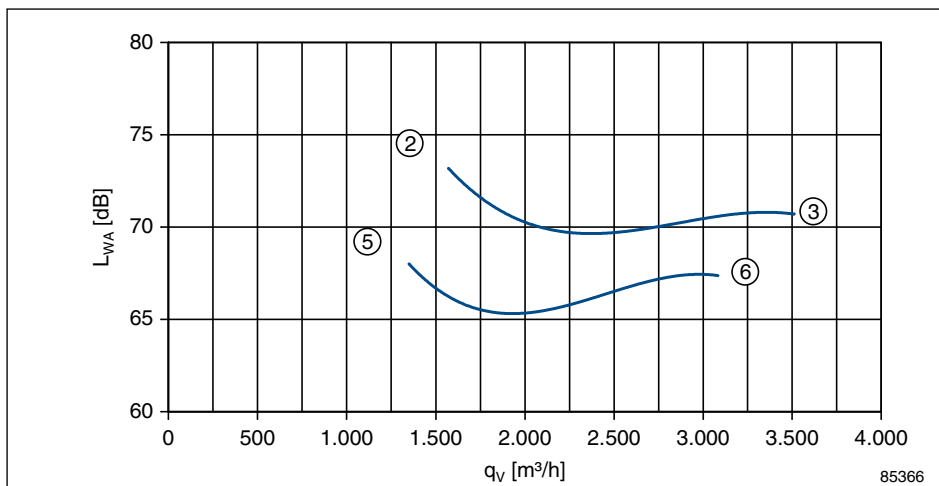
P_1	0,19/0,14	kW
I	0,4/0,23	A
n	1390/1170	min ⁻¹
I_A	2,8/1,6	A
Δt	0	%
t_R	70	°C

Kennliniendaten Characteristic data



	U V	I A	P ₁ W	n min ⁻¹
②	400	0,40	190	1390
③	Δ	0,37	150	1420
⑤	400	0,23	140	1170
⑥	Y	0,19	120	1240

$$p_{d2} = 4,7 \cdot 10^{-6} \cdot q_v^2$$



gemessen in Voldüse ohne Berührschutz in Einbauart A nach ISO 5801
measured in full bell mouth without guard grille in installation type A according to ISO 5801

Maßblatt / Dimension sheet

Typ Type	Artikel-Nr. Article no.	Bauform Design	Luftförderrichtung Airflow direction	Gewicht Weight	Anschlussschaltbild Connection diagram	Maßblatt Dimension sheet	Seite Page
FN035-VDA.0F.A7P2	155885	A	A	4,0 kg	1360-108XB	L-KL-2741	
FN035-VDD.0F.A7P2	155886	D	A	4,8 kg	1360-108XB	L-KL-2743	
FN035-VDL.0F.A7P2	155887	L	A	6,8 kg	1360-108XB	L-KL-2745	
FN035-VDW.0F.A7P2	155888	W	A	5,0 kg	1360-108XB	L-KL-2748	
FN035-VDA.0F.V7P2	155889	A	V	4,0 kg	1360-108XA	L-KL-2742	
FN035-VDI.0F.V7P2	155890	I	V	4,7 kg	1360-108XA	L-KL-2744	
FN035-VDH.0F.V7P2	155891	H	V	6,8 kg	1360-108XA	L-KL-2746	
FN035-VDK.0F.V7P2	155892	K	V	5,3 kg	1360-108XA	L-KL-2747	
FN035-VDQ.0F.V7P2	155893	Q	V	7,9 kg	1360-108XA	L-KL-2811	

FE2owlet

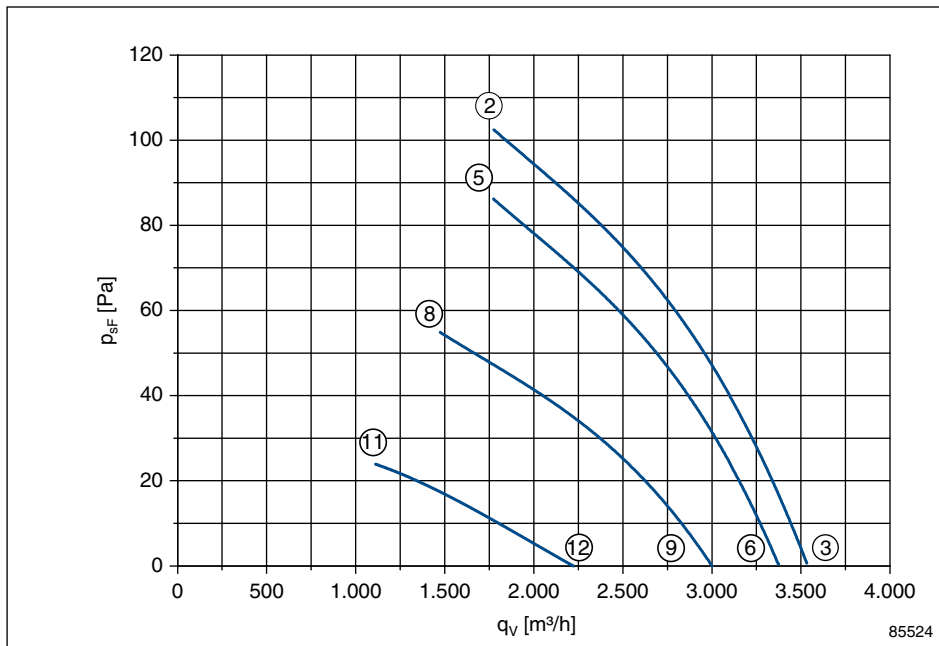
FN035-4E_.0F_.7P2

Leistungsdaten Performance data

1~ 230V ±10% 50Hz

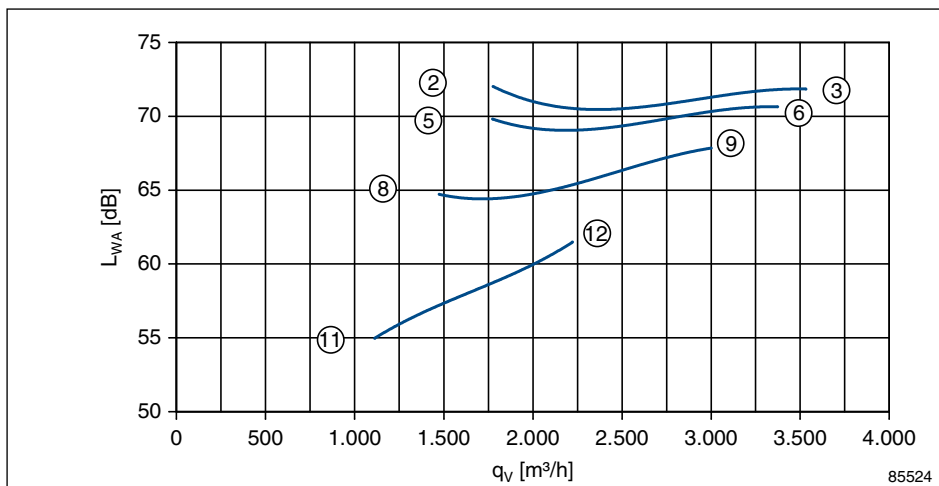
P_1	0,23	kW
I	1,05	A
n	1410	min ⁻¹
I_A	?	A
ΔI	15	%
C_{400V}	6	µF
t_R	70	°C

Kennliniendaten Characteristic data



	U V	I A	P ₁ W	n min ⁻¹
②	230	1,05	230	1410
③		0,98	200	1430
⑤	170	1,05	180	1310
⑥		0,90	150	1360
⑧	135	1,20	160	1060
⑨		1,00	140	1220
⑪	110	1,10	120	730
⑫		1,10	120	900

$$p_{d2} = 4,7 \cdot 10^{-6} \cdot q_v^2$$



gemessen in Voldüse ohne
Berührschutz in Einbauart A
nach ISO 5801
measured in full bell mouth without
guard grille in installation type A
according to ISO 5801

Maßblatt / Dimension sheet

Typ Type	Artikel-Nr. Article no.	Bauform Design	Luftförderrichtung Airflow direction	Gewicht Weight	Anschlussschaltbild Connection diagram	Maßblatt Dimension sheet	Seite Page
FN035-4EA.0F.A7P2	155876	A	A	4,0 kg	1360-104XB	L-KL-2741	
FN035-4ED.0F.A7P2	155877	D	A	4,8 kg	1360-104XB	L-KL-2743	
FN035-4EL.0F.A7P2	155878	L	A	6,8 kg	1360-104XB	L-KL-2745	
FN035-4EW.0F.A7P2	155879	W	A	5,0 kg	1360-104XB	L-KL-2748	
FN035-4EA.0F.V7P2	155880	A	V	4,0 kg	1360-104XA	L-KL-2742	
FN035-4EI.0F.V7P2	155881	I	V	4,7 kg	1360-104XA	L-KL-2744	
FN035-4EH.0F.V7P2	155882	H	V	6,8 kg	1360-104XA	L-KL-2746	
FN035-4EK.0F.V7P2	155883	K	V	5,3 kg	1360-104XA	L-KL-2747	
FN035-4EQ.0F.V7P2	155884	Q	V	7,9 kg	1360-104XA	L-KL-2811	

FE2owlet

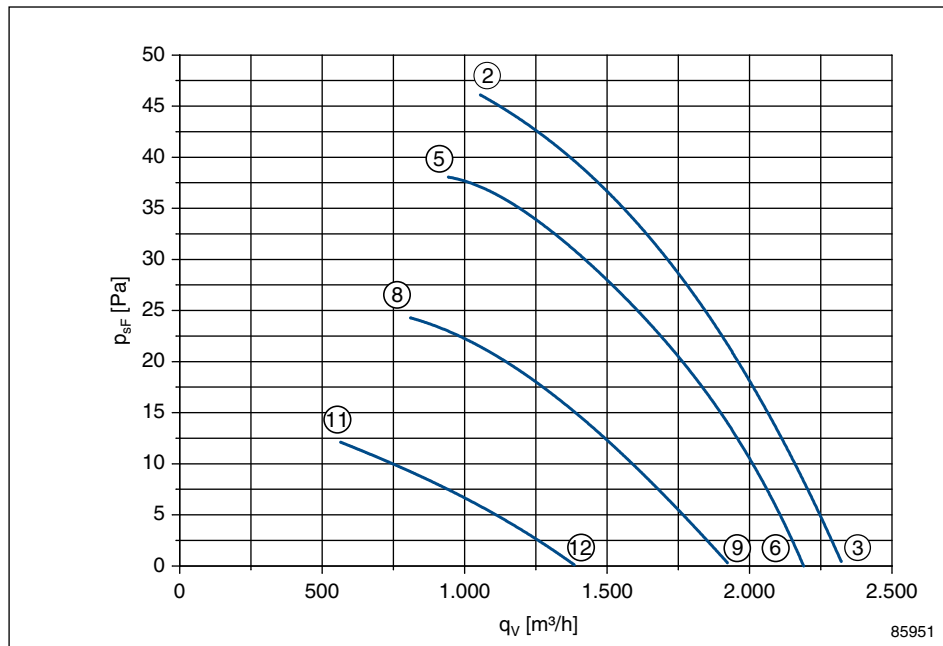
FN035-6E_.0C_.7P2

Leistungsdaten Performance data

1~ 230V ±10% 50Hz

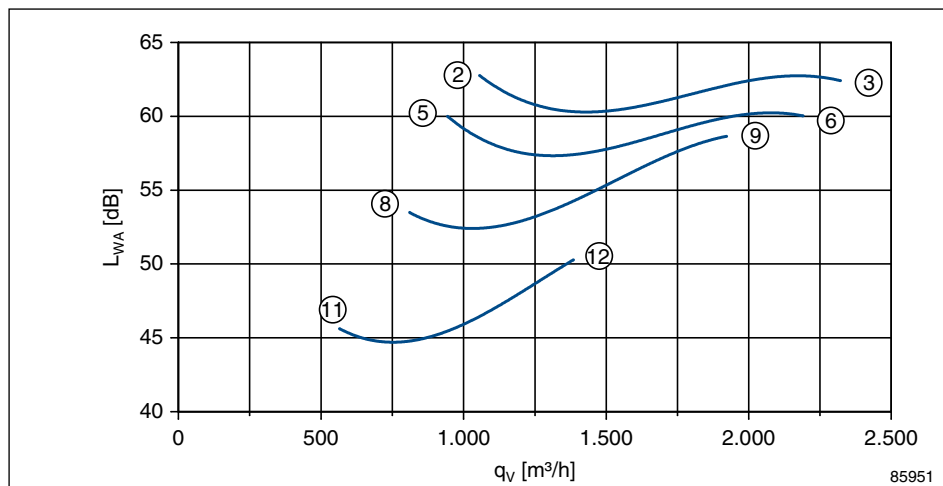
P_1	0,085	kW
I	0,39	A
n	930	min ⁻¹
I_A	0,75	A
ΔI	0	%
C_{400V}	3	µF
t_R	70	°C

Kennliniendaten Characteristic data



	U V	I A	P ₁ W	n min ⁻¹
②	230	0,39	85	930
③		0,37	80	940
⑤	170	0,36	60	850
⑥		0,33	55	880
⑧	135	0,36	48	670
⑨		0,32	42	780
⑪	110	0,32	34	470
⑫		0,31	34	570

$$p_{d2} = 4,7 \cdot 10^{-6} \cdot q_v^2$$



gemessen in Volldüse ohne
Berührschutz in Einbauart A
nach ISO 5801
measured in full bell mouth without
guard grille in installation type A
according to ISO 5801

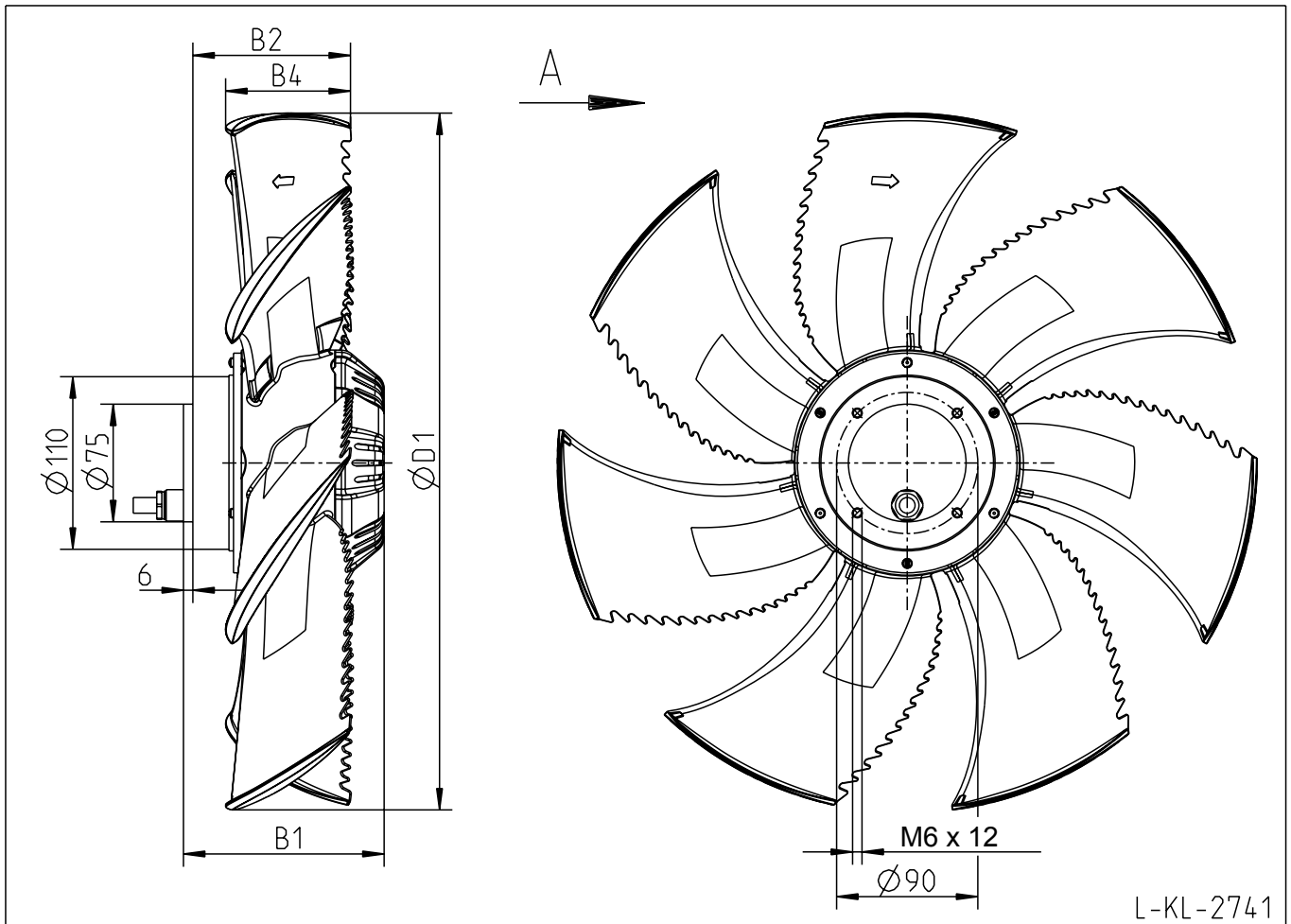
Maßblatt / Dimension sheet

Typ Type	Artikel-Nr. Article no.	Bauform Design	Luftförderrichtung Airflow direction	Gewicht Weight	Anschlussschaltbild Connection diagram	Maßblatt Dimension sheet	Seite Page
FN035-6EA.0C.A7P2	155894	A	A	3,3 kg	1360-104XB	L-KL-2741	
FN035-6ED.0C.A7P2	155895	D	A	4,1 kg	1360-104XB	L-KL-2743	
FN035-6EL.0C.A7P2	155896	L	A	6,1 kg	1360-104XB	L-KL-2745	
FN035-6EW.0C.A7P2	155897	W	A	4,4 kg	1360-104XB	L-KL-2748	
FN035-6EA.0C.V7P2	155898	A	V	3,3 kg	1360-104XA	L-KL-2742	
FN035-6EI.0C.V7P2	155899	I	V	4,1 kg	1360-104XA	L-KL-2744	
FN035-6EH.0C.V7P2	155900	H	V	6,1 kg	1360-104XA	L-KL-2746	
FN035-6EK.0C.V7P2	155901	K	V	4,6 kg	1360-104XA	L-KL-2747	
FN035-6EQ.0C.V7P2	155902	Q	V	7,2 kg	1360-104XA	L-KL-2811	

FE2owlet

FN035-__A.0_.A7P2

Luffföderung <i>Airflow direction</i>	A
Bauform <i>Design</i>	A
Flügelmaterial <i>Material of impeller</i>	Verbundwerkstoff <i>Composite material</i>



**FN
035**

L-KL-2741

Typ <i>Type</i>	Artikel-Nr. <i>Article no.</i>	B1	B2	B4	D1
FN035-VDA.0F.A7P2	155885	118	106	77	353
FN035-4EA.0F.A7P2	155876	118	106	77	353
FN035-6EA.0C.A7P2	155894	134	106	77	353

Elektrischer Anschluss
Anschlusskabel, Länge 55 cm

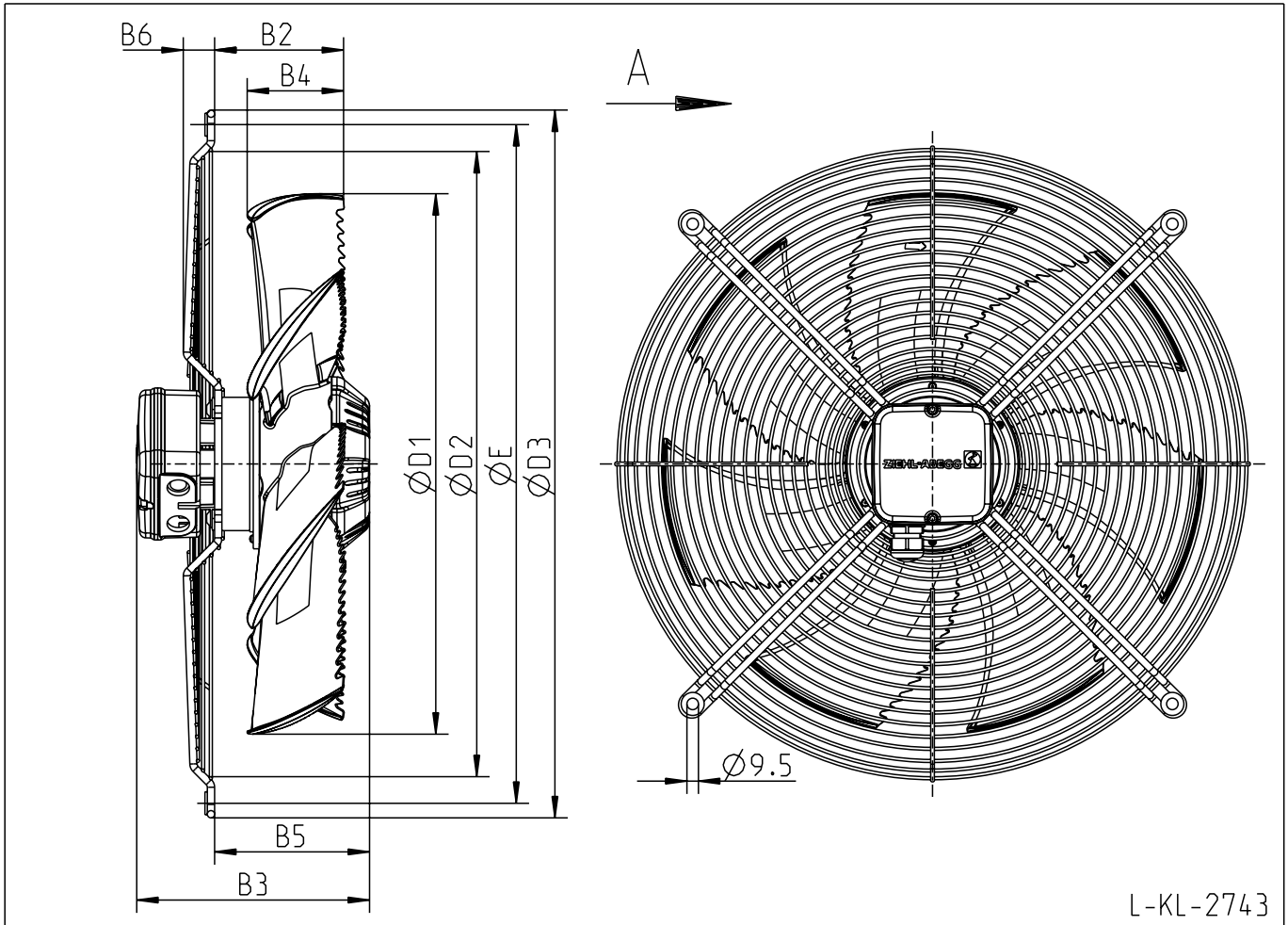
Electrical connection
Connection cable, length 55 cm

FE2owlet

FN035-__D.0_.A7P2

Luffförrichtung <i>Airflow direction</i>	A
Bauform <i>Design</i>	D
Flügelmaterial <i>Material of impeller</i>	Verbundwerkstoff <i>Composite material</i>

**FN
035**



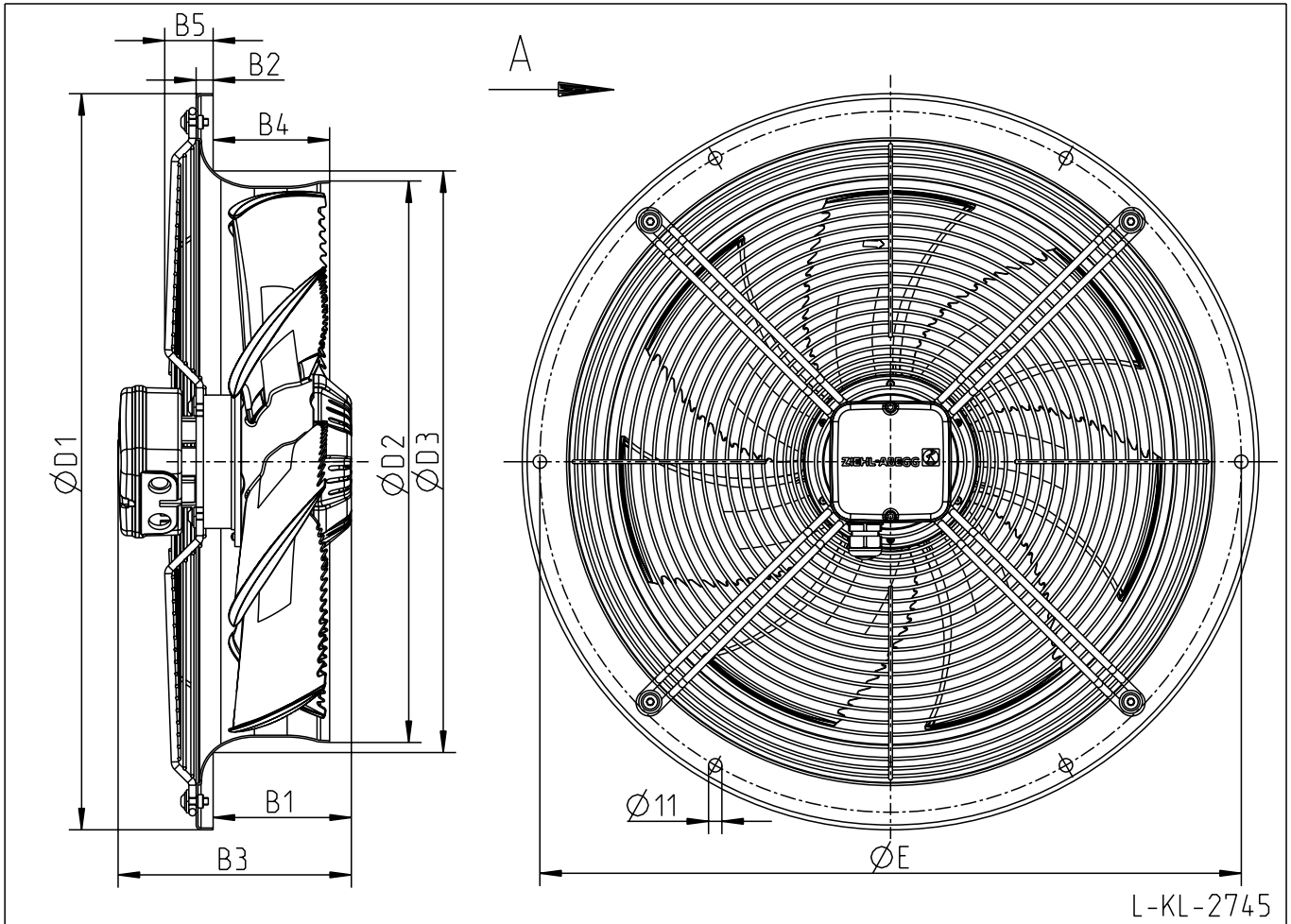
L-KL-2743

Typ Type	Artikel-Nr. Article no.	B2	B3	B4	B5	B6	D1	D2	D3	E
FN035-VDD.0F.A7P2	155886	101	182	77	109	10	353	378	395	422
FN035-4ED.0F.A7P2	155877	101	182	77	109	10	353	378	395	422
FN035-6ED.0C.A7P2	155895	101	198	77	125	10	353	378	395	422

FE2owlet

FN035-__L.0_.A7P2

Luffförrichtung <i>Airflow direction</i>	A
Bauform <i>Design</i>	L
Flügelmaterial <i>Material of impeller</i>	Verbundwerkstoff <i>Composite material</i>



**FN
035**

L-KL-2745

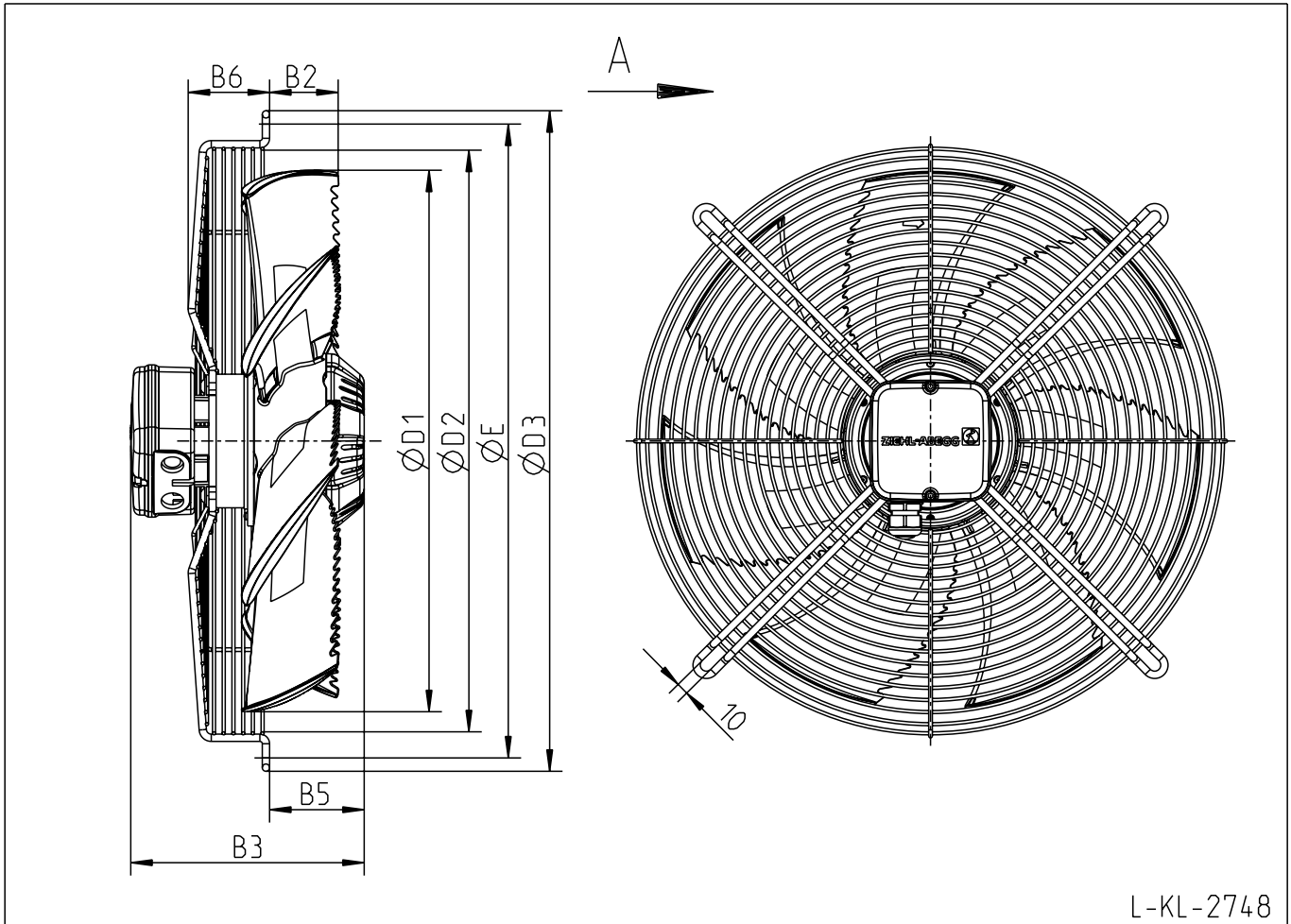
Typ <i>Type</i>	Artikel-Nr. <i>Article no.</i>	B1	B2	B3	B4	B5	D1	D2	D3	E
FN035-VDL.0F.A7P2	155887	97	12	182	68	22	460	390	390	442
FN035-4EL.0F.A7P2	155878	97	12	182	68	22	460	390	390	442
FN035-6EL.0C.A7P2	155896	113	12	198	68	22	460	390	390	442

FE2owlet

FN035-__W.0_.A7P2

Luffförrichtung <i>Airflow direction</i>	A
Bauform <i>Design</i>	W
Flügelmaterial <i>Material of impeller</i>	Verbundwerkstoff <i>Composite material</i>

**FN
035**



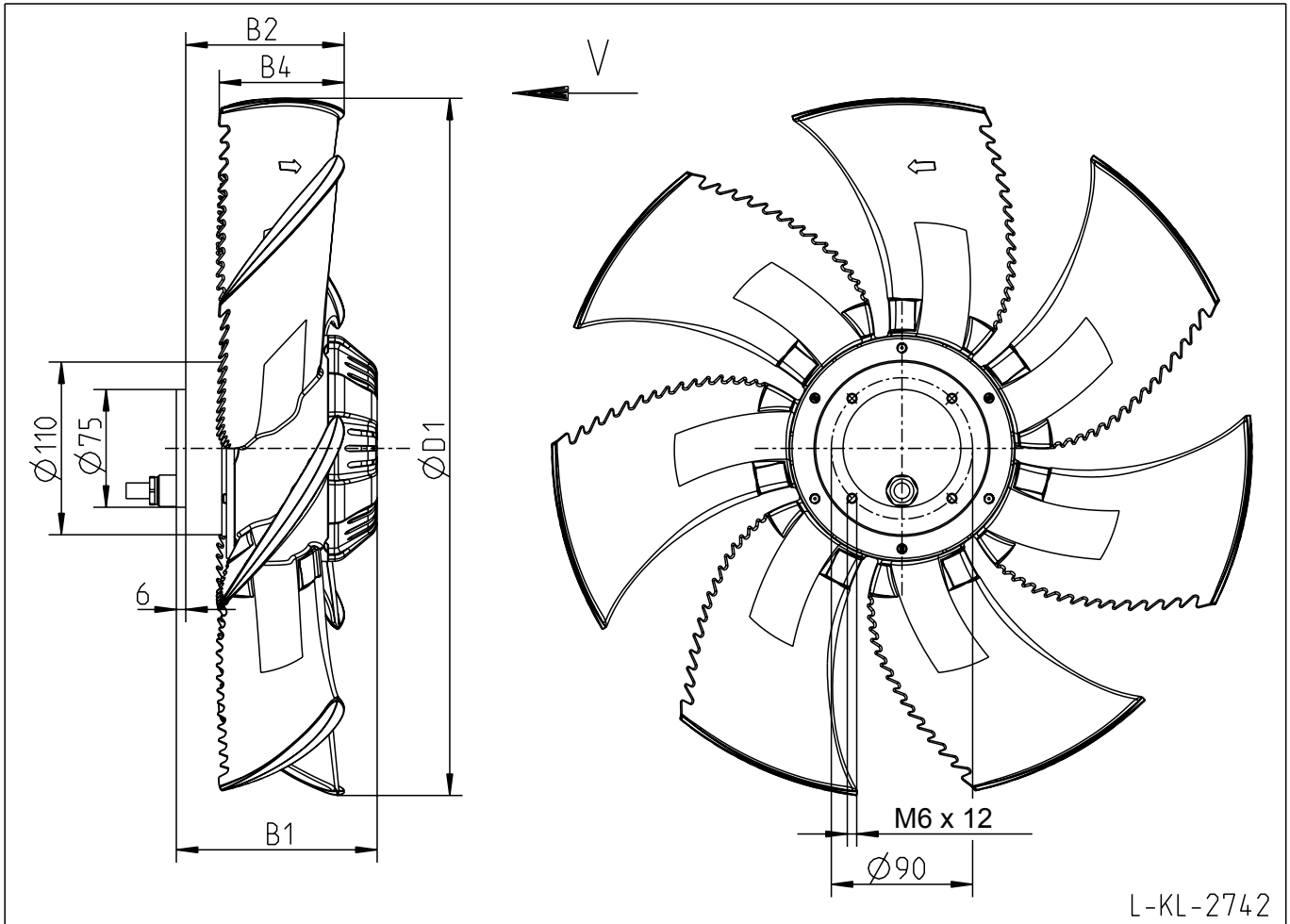
L-KL-2748

Typ <i>Type</i>	Artikel-Nr. <i>Article no.</i>	B2	B3	B5	B6	D1	D2	D3	E
FN035-VDW.0F.A7P2	155 888	42	182	49,5	69	353	377	441	422
FN035-4EW.0F.A7P2	155 879	42	182	49,5	69	353	377	441	422
FN035-6EW.0C.A7P2	155 897	42	198	66	69	353	377	441	422

FE2owlet

FN035-__A.0.V7P2

Luffförrichtung <i>Airflow direction</i>	V
Bauform <i>Design</i>	A
Flügelmaterial <i>Material of impeller</i>	Verbundwerkstoff <i>Composite material</i>



**FN
035**

L-KL-2742

L-KL-2742

Typ <i>Type</i>	Artikel-Nr. <i>Article no.</i>	B1	B2	B4	D1
FN035-VDA.0F.V7P2	155889	118	109	77	353
FN035-4EA.0F.V7P2	155880	118	109	77	353
FN035-6EA.0C.V7P2	155898	134	109	77	353

Elektrischer Anschluss
Anschlusskabel, Länge 55 cm

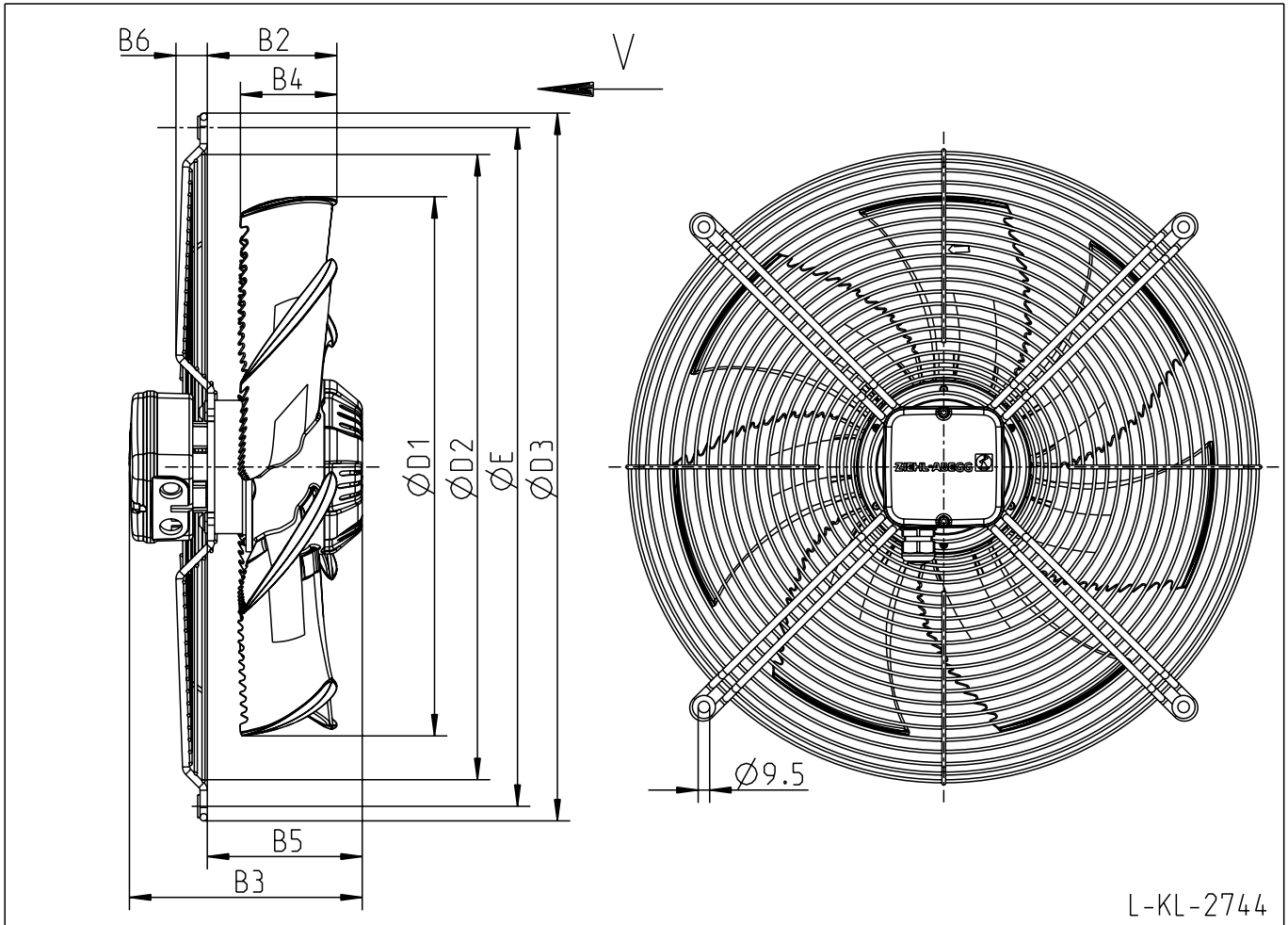
Electrical connection
Connection cable, length 55 cm

FE2owlet

FN035-___.0_.V7P2

Luffförrichtung <i>Airflow direction</i>	V
Bauform <i>Design</i>	I
Flügelmaterial <i>Material of impeller</i>	Verbundwerkstoff <i>Composite material</i>

**FN
035**



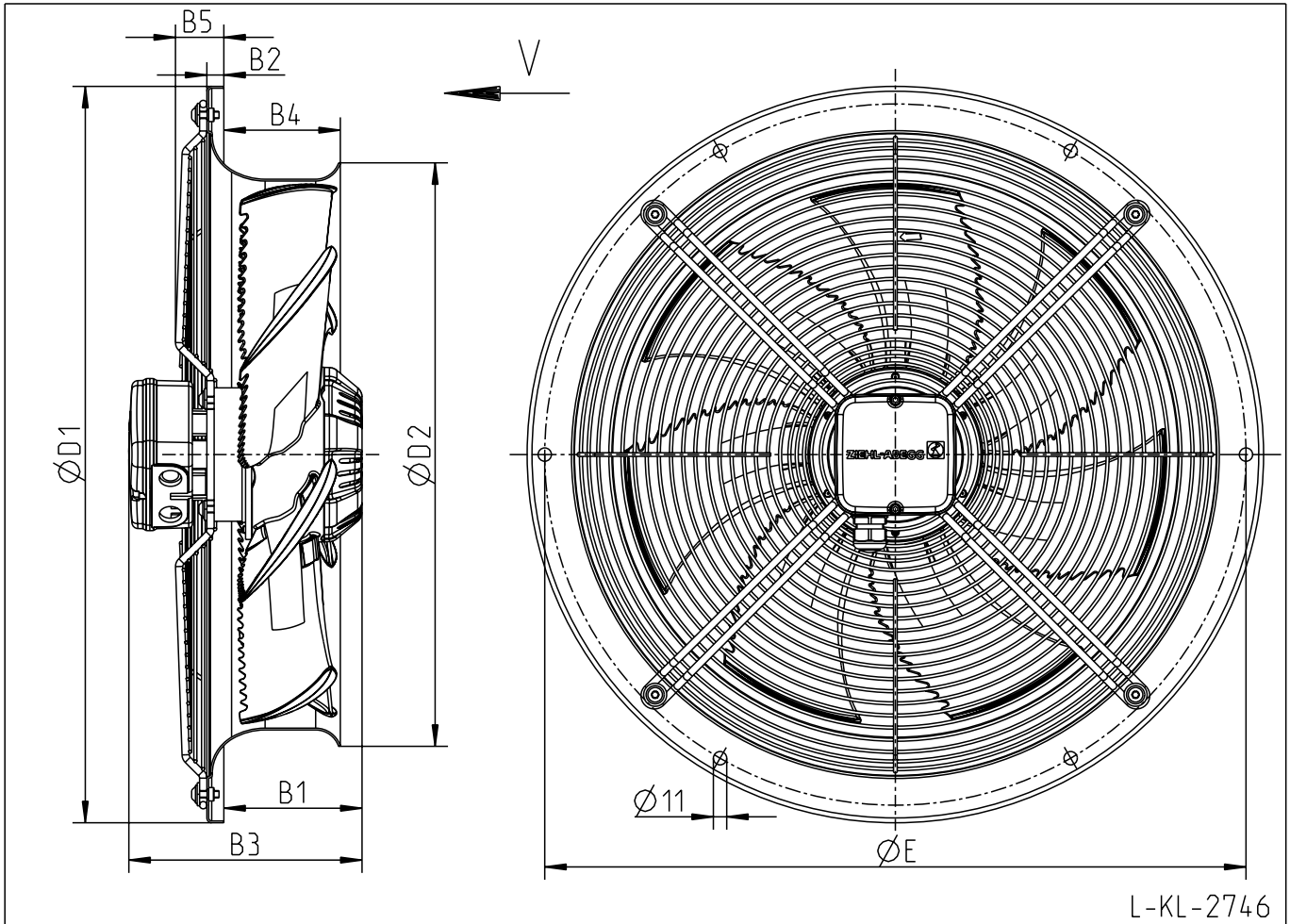
L-KL-2744

Typ Type	Artikel-Nr. Article no.	B2	B3	B4	B5	B6	D1	D2	D3	E
FN035-VDI.0F.V7P2	155890	104	182	77	109	10	353	378	395	422
FN035-4EI.0F.V7P2	155881	104	182	77	109	10	353	378	395	422
FN035-6EI.0C.V7P2	155899	104	198	77	125	10	353	378	395	422

FE2owlet

FN035-__H.0_.V7P2

Luffförrichtung <i>Airflow direction</i>	V
Bauform <i>Design</i>	H
Flügelmaterial <i>Material of impeller</i>	Verbundwerkstoff <i>Composite material</i>



**FN
035**

L-KL-2746

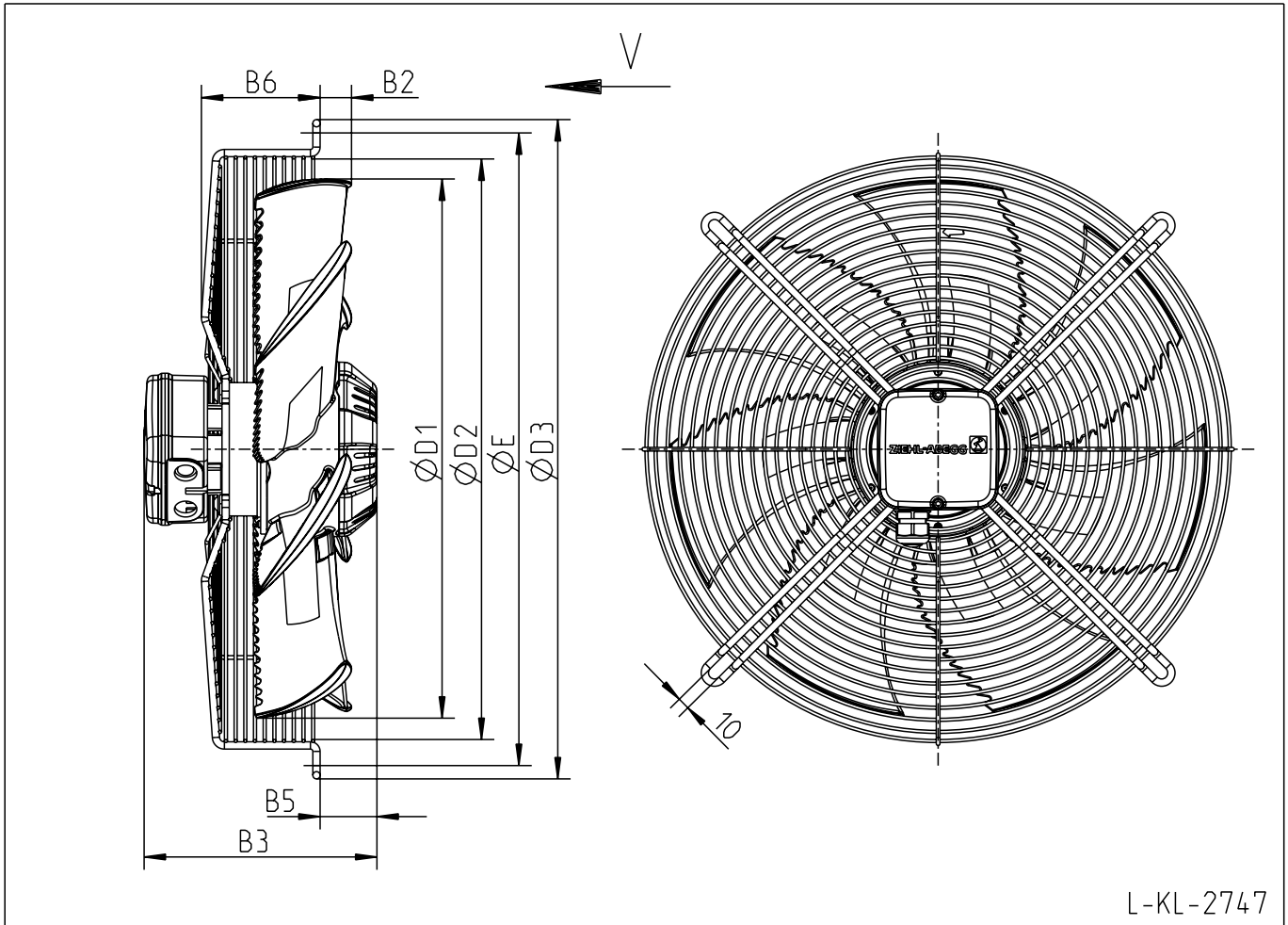
Typ <i>Type</i>	Artikel-Nr. <i>Article no.</i>	B1	B2	B3	B4	B5	D1	D2	E
FN035-VDH.0F.V7P2	155891	97	12	182	68	22	460	390	442
FN035-4EH.0F.V7P2	155882	97	12	182	68	22	460	390	442
FN035-6EH.0C.V7P2	155900	113	12	198	68	22	460	390	442

FE2owlet

FN035-__K.0_.V7P2

Luffförrichtung <i>Airflow direction</i>	V
Bauform <i>Design</i>	K
Flügelmaterial <i>Material of impeller</i>	Verbundwerkstoff <i>Composite material</i>

FN
035



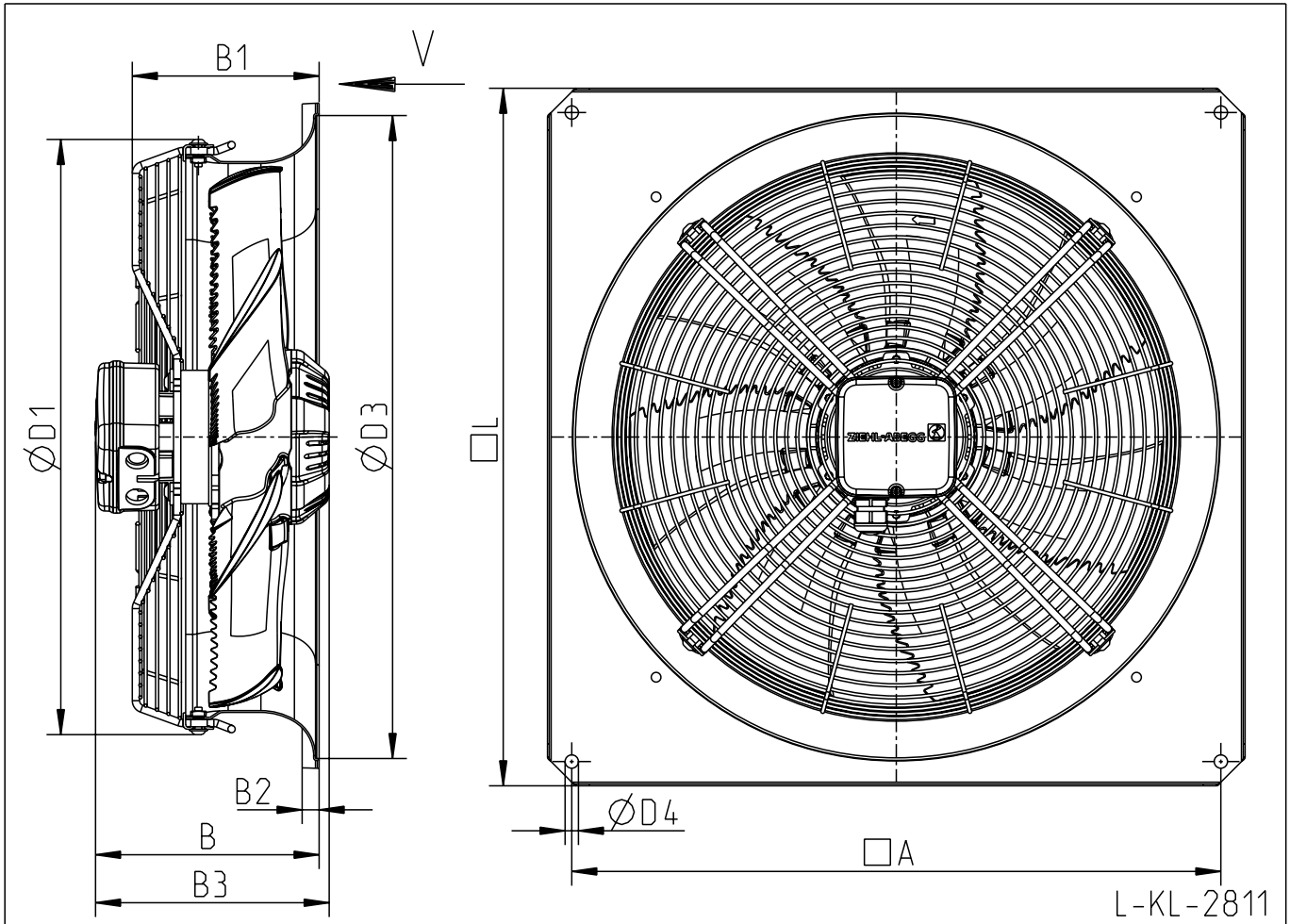
L-KL-2747

Typ <i>Type</i>	Artikel-Nr. <i>Article no.</i>	B2	B3	B5	B6	D1	D2	D3	E
FN035-VDK.0F.V7P2	155892	31	182	36	99	353	369	415	395
FN035-4EK.0F.V7P2	155883	31	182	36	99	353	369	415	395
FN035-6EK.0C.V7P2	155901	31	198	52	99	353	369	415	395

FE2owlet

FN035-__Q.0_.V7P2

Luftförderichtung <i>Airflow direction</i>	V
Bauform <i>Design</i>	Q
Flügelmaterial <i>Material of impeller</i>	Verbundwerkstoff <i>Composite material</i>



**FN
035**

L-KL-2811

Typ <i>Type</i>	Artikel-Nr. <i>Article no.</i>	A	B	B1	B2	B3	D1	D3	D4	L
FN035-VDQ.0F.V7P2	155893	435	179	127	12	182	394	412	9	485
FN035-4EQ.0F.V7P2	155884	435	179	127	12	182	394	412	9	485
FN035-6EQ.0C.V7P2	155902	435	179	127	12	198	394	412	9	485

FN
035