

# FE2owlet

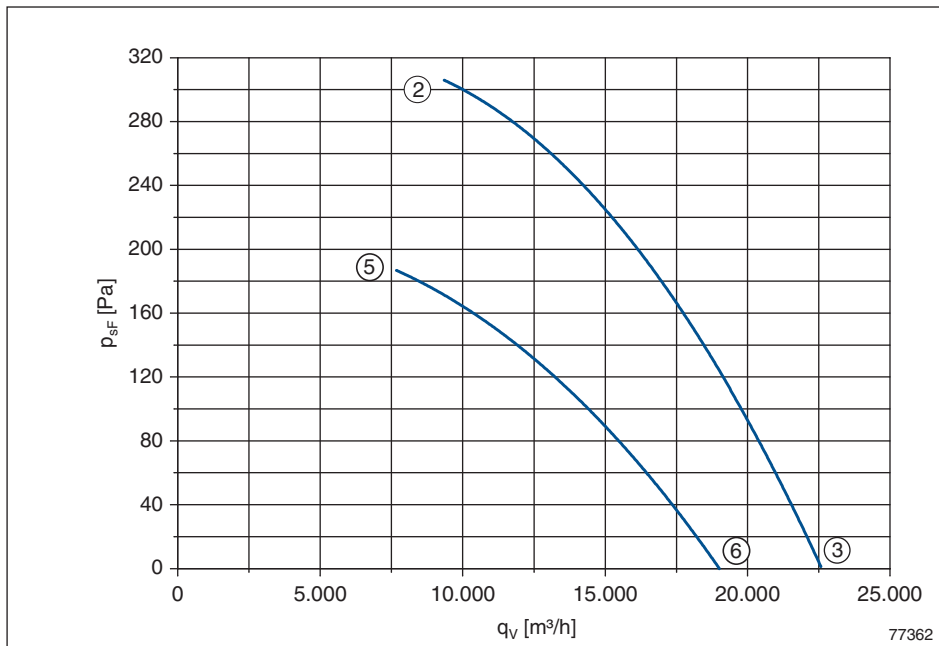
## FN071-VD\_6N\_7P2

### Leistungsdaten Performance data

3~ 400V ±10% Δ/Y 50Hz

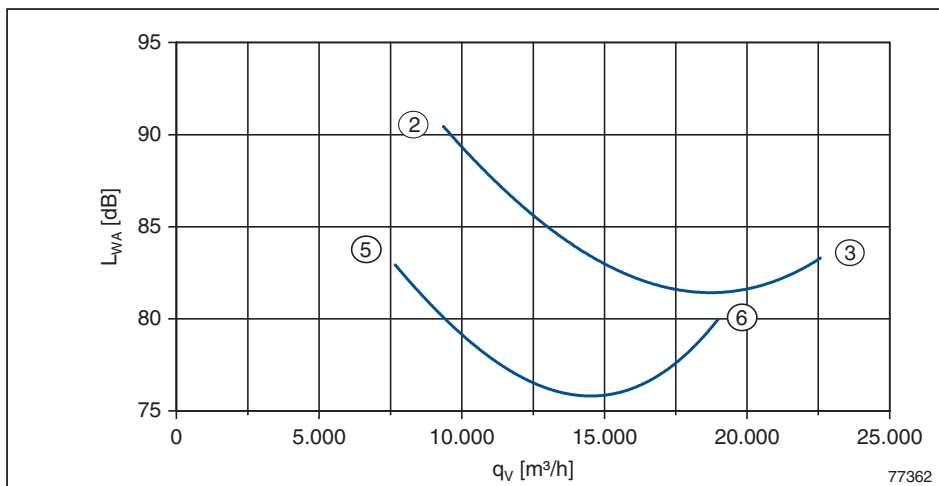
|            |           |                   |
|------------|-----------|-------------------|
| $P_1$      | 2,6/1,75  | kW                |
| $I$        | 4,9/2,9   | A                 |
| $n$        | 1330/1040 | min <sup>-1</sup> |
| $I_A$      | 21/7      | A                 |
| $\Delta t$ | 5         | %                 |
| $t_R$      | 60        | °C                |

### Kennliniendaten Characteristic data



|   | U<br>V | I<br>A | P <sub>1</sub><br>W | n<br>min <sup>-1</sup> |
|---|--------|--------|---------------------|------------------------|
| ② | 400    | 4,9    | 2620                | 1330                   |
| ③ | Δ      | 3,9    | 1900                | 1390                   |
| ⑤ | 400    | 2,9    | 1740                | 1040                   |
| ⑥ | Y      | 2,3    | 1400                | 1170                   |

$$p_{d2} = 2,9 \cdot 10^{-7} \cdot q_v^2$$



gemessen in Voldüse ohne Berührschutz in Einbauart A nach ISO 5801  
measured in full bell mouth without guard grille in installation type A according to ISO 5801

### Maßblatt / Dimension sheet

| Typ<br>Type                     | Artikel-Nr.<br>Article no. | Bauform<br>Design | Luftförderrichtung<br>Airflow direction | Gewicht<br>Weight | Anschlussschaltbild<br>Connection diagram | Maßblatt<br>Dimension sheet | Seite<br>Page |
|---------------------------------|----------------------------|-------------------|---|-------------------|---|-----------------------------|---------------|
| FN071-VDA.6N.A7P2               | 141 759                    | A                 | A                                       | 23 kg             | 108XB                                     | L-KL-2751                   | 76            |
| FN071-VDD.6N.A7P2               | 141 760                    | D                 | A                                       | 26 kg             | 108XB                                     | L-KL-2752                   | 77            |
| FN071-VDQ.6N.A7P2               | 141 761                    | Q                 | A                                       | 37 kg             | 108XB                                     | L-KL-2753                   | 78            |
| FN071-VDA.6N.V7P2               | 141 767                    | A                 | V                                       | 23 kg             | 108XA                                     | L-KL-2754                   | 79            |
| FN071-VDK.6N.V7P2 <sup>1)</sup> | 141 772                    | K                 | V                                       | -                 | 108XA                                     | -                           | -             |
| FN071-VDQ.6N.V7P2               | 141 777                    | Q                 | V                                       | 40 kg             | 108XA                                     | L-KL-2756                   | 82            |
| FN071-VDS.6N.V7P2               | 141 782                    | S                 | V                                       | 29 kg             | 108XA                                     | L-KL-2755                   | 81            |
| FN071-VDF.6N.V7P2               | 141 787                    | F                 | V                                       | 38 kg             | 108XA                                     | L-KL-2750                   | 83            |

<sup>1)</sup> auf Anfrage / on request

# FE2owlet

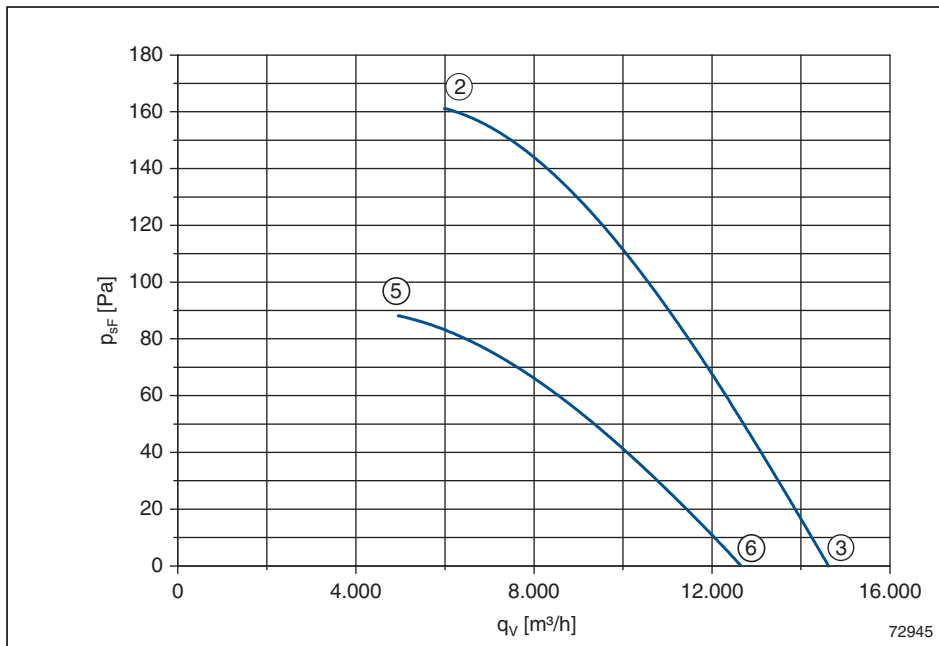
## FN071-SD\_.6F\_.7P1

### Leistungsdaten Performance data

3~ 400V ±10% Δ/Y 50Hz

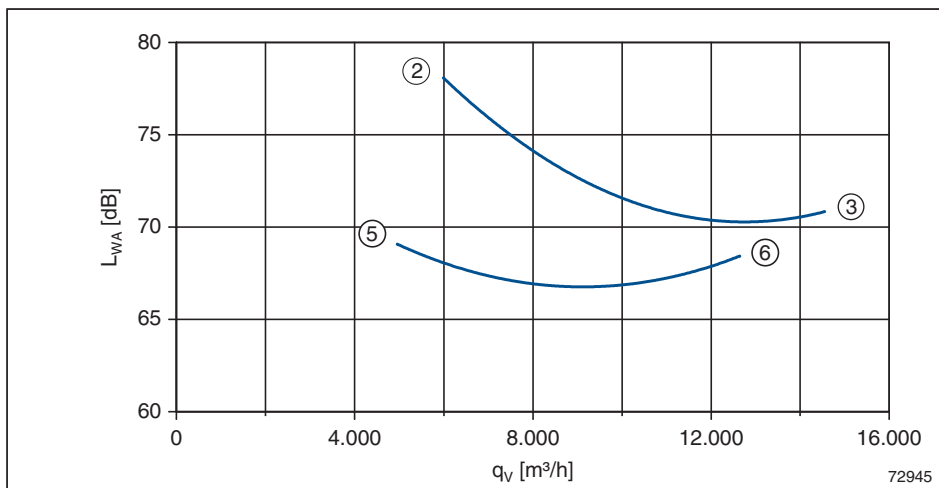
|            |           |                   |
|------------|-----------|-------------------|
| $P_1$      | 0,94/0,64 | kW                |
| $I$        | 1,75/1,10 | A                 |
| $n$        | 900/670   | min <sup>-1</sup> |
| $I_A$      | 5,8/2     | A                 |
| $\Delta I$ | 10        | %                 |
| $t_R$      | 70        | °C                |

### Kennliniendaten Characteristic data



|   | U<br>V | I<br>A | P <sub>1</sub><br>W | n<br>min <sup>-1</sup> |
|---|--------|--------|---------------------|------------------------|
| ② | 400    | 1,75   | 940                 | 900                    |
| ③ | Δ      | 1,25   | 560                 | 940                    |
| ⑤ | 400    | 1,10   | 640                 | 670                    |
| ⑥ | Y      | 0,77   | 450                 | 820                    |

$$p_{d2} = 2,9 \cdot 10^{-7} \cdot q_v^2$$



gemessen in Volldüse ohne Berührschutz in Einbauart A nach ISO 5801  
measured in full bell mouth without guard grille in installation type A according to ISO 5801

### Maßblatt / Dimension sheet

| Typ<br>Type              | Artikel-Nr.<br>Article no. | Bauform<br>Design | Luftförderrichtung<br>Airflow direction | Gewicht<br>Weight | Anschlusschaltbild<br>Connection diagram | Maßblatt<br>Dimension sheet | Seite<br>Page |
|--------------------------|----------------------------|-------------------|---|-------------------|--|-----------------------------|---------------|
| FN071-SDA.6F.A7P1        | 141 747                    | A                 | A                                       | 17 kg             | 108XB                                    | L-KL-2751                   | 76            |
| FN071-SDD.6F.A7P1        | 141 748                    | D                 | A                                       | 21 kg             | 108XB                                    | L-KL-2752                   | 77            |
| FN071-SDQ.6F.A7P1        | 141 749                    | Q                 | A                                       | 32 kg             | 108XB                                    | L-KL-2753                   | 78            |
| FN071-SDA.6F.V7P1        | 141 768                    | A                 | V                                       | 17 kg             | 108XA                                    | L-KL-2754                   | 79            |
| <b>FN071-SDK.6F.V7P1</b> | <b>141 773</b>             | <b>K</b>          | <b>V</b>                                | <b>26 kg</b>      | <b>108XA</b>                             | <b>L-KL-2749</b>            | <b>80</b>     |
| FN071-SDQ.6F.V7P1        | 141 778                    | Q                 | V                                       | 34 kg             | 108XA                                    | L-KL-2756                   | 82            |
| FN071-SDS.6F.V7P1        | 141 783                    | S                 | V                                       | 23 kg             | 108XA                                    | L-KL-2755                   | 81            |
| FN071-SDF.6F.V7P1        | 141 788                    | F                 | V                                       | 33 kg             | 108XA                                    | L-KL-2750                   | 83            |

# FE2owlet

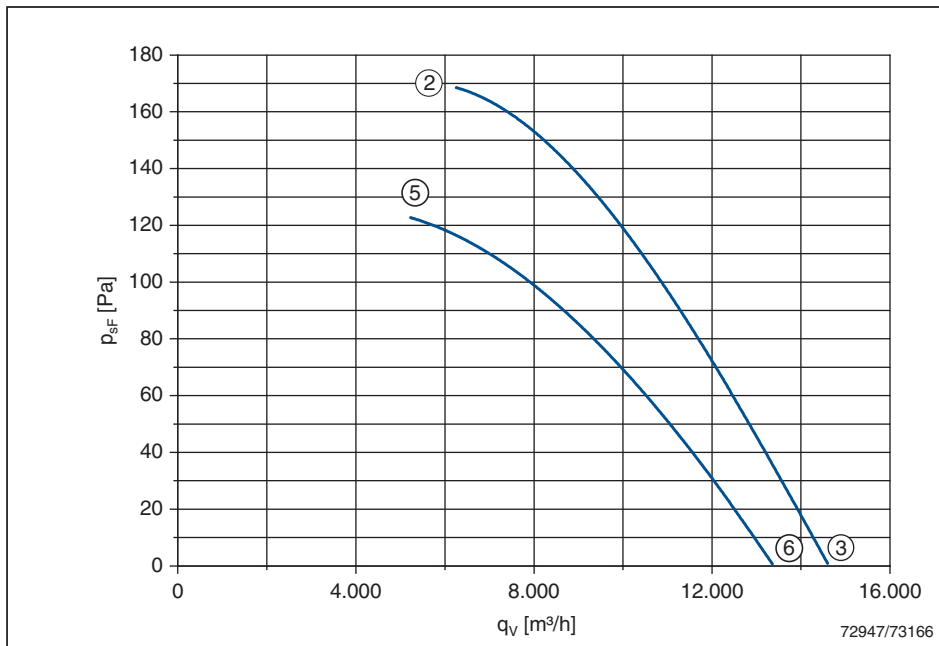
## FN071-SD\_.6K.\_7P1

### Leistungsdaten Performance data

3~ 400V ±10% Δ/Y 50Hz

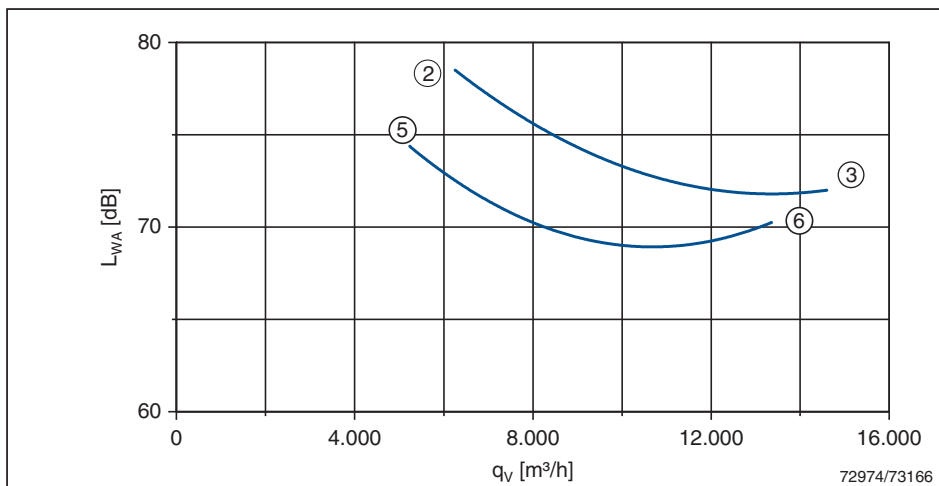
|            |          |                   |
|------------|----------|-------------------|
| $P_1$      | 1,0/0,71 | kW                |
| $I$        | 2,5/1,25 | A                 |
| $n$        | 910/780  | min <sup>-1</sup> |
| $I_A$      | 9,0/3,0  | A                 |
| $\Delta t$ | 0        | %                 |
| $t_R$      | 70       | °C                |

### Kennliniendaten Characteristic data



|   | U<br>V | I<br>A | P <sub>1</sub><br>W | n<br>min <sup>-1</sup> |
|---|--------|--------|---------------------|------------------------|
| ② | 400    | 2,50   | 1000                | 910                    |
| ③ | Δ      | 2,20   | 630                 | 950                    |
| ⑤ | 400    | 1,25   | 710                 | 780                    |
| ⑥ | Y      | 0,92   | 470                 | 870                    |

$$p_{d2} = 2,9 \cdot 10^{-7} \cdot q_v^2$$



gemessen in Voldüse ohne Berührschutz in Einbauart A nach ISO 5801  
measured in full bell mouth without guard grille in installation type A according to ISO 5801

### Maßblatt / Dimension sheet

| Typ<br>Type       | Artikel-Nr.<br>Article no. | Bauform<br>Design | Luftförderrichtung<br>Airflow direction | Gewicht<br>Weight | Anschlussschaltbild<br>Connection diagram | Maßblatt<br>Dimension sheet | Seite<br>Page |
|-------------------|----------------------------|-------------------|---|-------------------|---|-----------------------------|---------------|
| FN071-SDA.6K.A7P1 | 141 750                    | A                 | A                                       | 21 kg             | 108XB                                     | L-KL-2751                   | 76            |
| FN071-SDD.6K.A7P1 | 141 751                    | D                 | A                                       | 24 kg             | 108XB                                     | L-KL-2752                   | 77            |
| FN071-SDQ.6K.A7P1 | 141 752                    | Q                 | A                                       | 35 kg             | 108XB                                     | L-KL-2753                   | 78            |
| FN071-SDA.6K.V7P1 | 141 769                    | A                 | V                                       | 21 kg             | 108XA                                     | L-KL-2754                   | 79            |
| FN071-SDK.6K.V7P1 | 141 774                    | K                 | V                                       | 30 kg             | 108XA                                     | L-KL-2749                   | 80            |
| FN071-SDQ.6K.V7P1 | 141 779                    | Q                 | V                                       | 38 kg             | 108XA                                     | L-KL-2756                   | 82            |
| FN071-SDS.6K.V7P1 | 141 784                    | S                 | V                                       | 27 kg             | 108XA                                     | L-KL-2755                   | 81            |
| FN071-SDF.6K.V7P1 | 141 789                    | F                 | V                                       | 37 kg             | 108XA                                     | L-KL-2750                   | 83            |

# FE2owlet

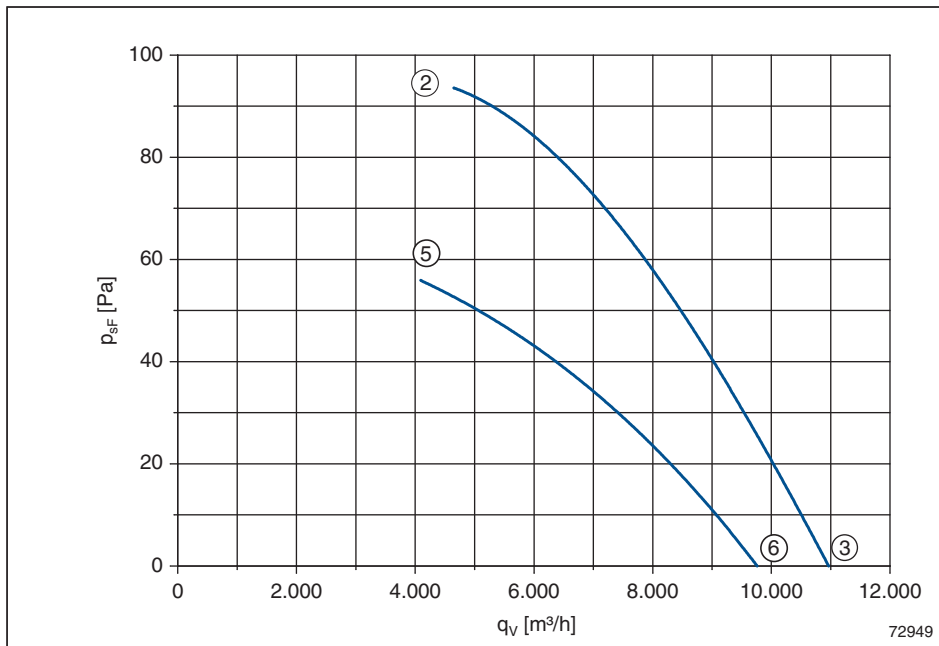
## FN071-AD\_.6F.\_7P1

### Leistungsdaten Performance data

3~ 400V ±10% Δ/Y 50Hz

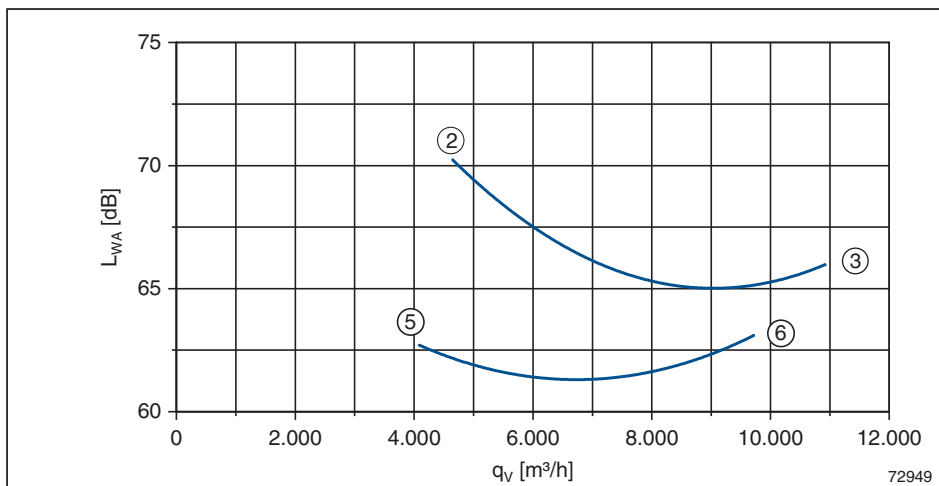
|          |           |                   |
|----------|-----------|-------------------|
| $P_1$    | 0,47/0,31 | kW                |
| $I$      | 1,10/0,61 | A                 |
| $n$      | 680/530   | min <sup>-1</sup> |
| $I_A$    | 3,2/1,1   | A                 |
| $\Delta$ | 0         | %                 |
| $t_R$    | 70        | °C                |

### Kennliniendaten Characteristic data



|   | U<br>V | I<br>A | P <sub>1</sub><br>W | n<br>min <sup>-1</sup> |
|---|--------|--------|---------------------|------------------------|
| ② | 400    | 1,10   | 470                 | 680                    |
| ③ | Δ      | 0,96   | 300                 | 710                    |
| ⑤ | 400    | 0,61   | 310                 | 530                    |
| ⑥ | Y      | 0,43   | 210                 | 640                    |

$$p_{d2} = 2,9 \cdot 10^{-7} \cdot q_v^2$$



gemessen in Voldüse ohne Berührschutz in Einbauart A nach ISO 5801  
measured in full bell mouth without guard grille in installation type A according to ISO 5801

### Maßblatt / Dimension sheet

| Typ<br>Type       | Artikel-Nr.<br>Article no. | Bauform<br>Design | Luftförderrichtung<br>Airflow direction | Gewicht<br>Weight | Anschlussschaltbild<br>Connection diagram | Maßblatt<br>Dimension sheet | Seite<br>Page |
|-------------------|----------------------------|-------------------|---|-------------------|---|-----------------------------|---------------|
| FN071-ADA.6F.A7P1 | 141 753                    | A                 | A                                       | 17 kg             | 108XB                                     | L-KL-2751                   | 76            |
| FN071-ADD.6F.A7P1 | 141 754                    | D                 | A                                       | 21 kg             | 108XB                                     | L-KL-2752                   | 77            |
| FN071-ADQ.6F.A7P1 | 141 755                    | Q                 | A                                       | 32 kg             | 108XB                                     | L-KL-2753                   | 78            |
| FN071-ADA.6F.V7P1 | 141 770                    | A                 | V                                       | 17 kg             | 108XA                                     | L-KL-2754                   | 79            |
| FN071-ADK.6F.V7P1 | 141 775                    | K                 | V                                       | 26 kg             | 108XA                                     | L-KL-2749                   | 80            |
| FN071-ADQ.6F.V7P1 | 141 780                    | Q                 | V                                       | 34 kg             | 108XA                                     | L-KL-2756                   | 82            |
| FN071-ADS.6F.V7P1 | 141 785                    | S                 | V                                       | 23 kg             | 108XA                                     | L-KL-2755                   | 81            |
| FN071-ADF.6F.V7P1 | 141 790                    | F                 | V                                       | 33 kg             | 108XA                                     | L-KL-2750                   | 83            |

# FE2owlet

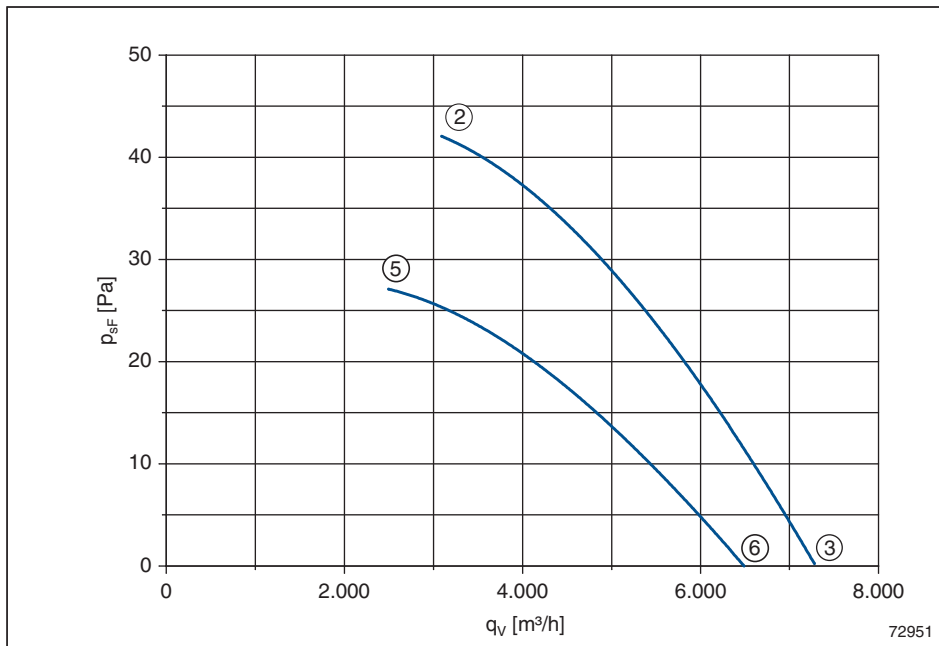
## FN071-ND\_.6F\_.7P1

### Leistungsdaten Performance data

3~ 400V ±10% Δ/Y 50Hz

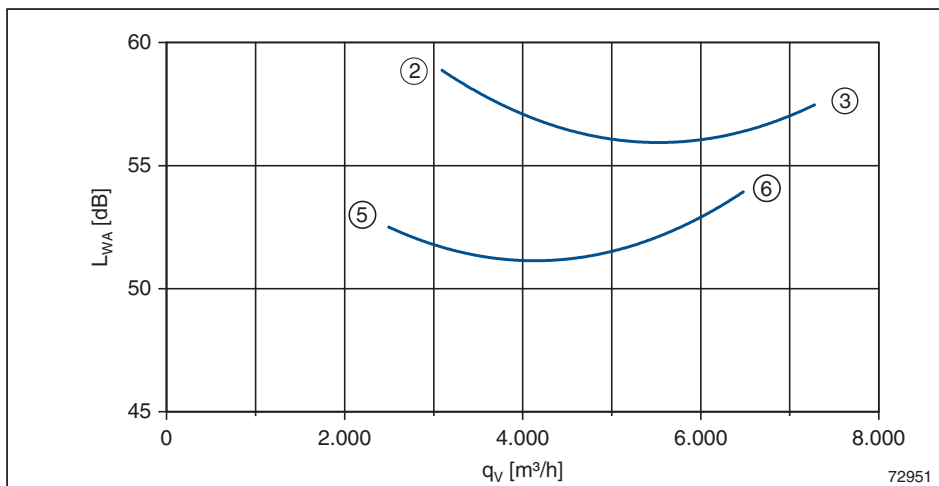
|            |           |                   |
|------------|-----------|-------------------|
| $P_1$      | 0,18/0,1  | kW                |
| $I$        | 0,53/0,24 | A                 |
| $n$        | 450/360   | min <sup>-1</sup> |
| $I_A$      | 1,0/0,33  | A                 |
| $\Delta t$ | 0         | %                 |
| $t_R$      | 70        | °C                |

### Kennliniendaten Characteristic data



|   | U<br>V | I<br>A | P <sub>1</sub><br>W | n<br>min <sup>-1</sup> |
|---|--------|--------|---------------------|------------------------|
| ② | 400    | 0,53   | 175                 | 450                    |
| ③ | Δ      | 0,51   | 125                 | 470                    |
| ⑤ | 400    | 0,24   | 105                 | 360                    |
| ⑥ | Y      | 0,19   | 76                  | 420                    |

$$p_{d2} = 2,9 \cdot 10^{-7} \cdot q_v^2$$



gemessen in Voldüse ohne Berührschutz in Einbauart A nach ISO 5801  
measured in full bell mouth without guard grille in installation type A according to ISO 5801

### Maßblatt / Dimension sheet

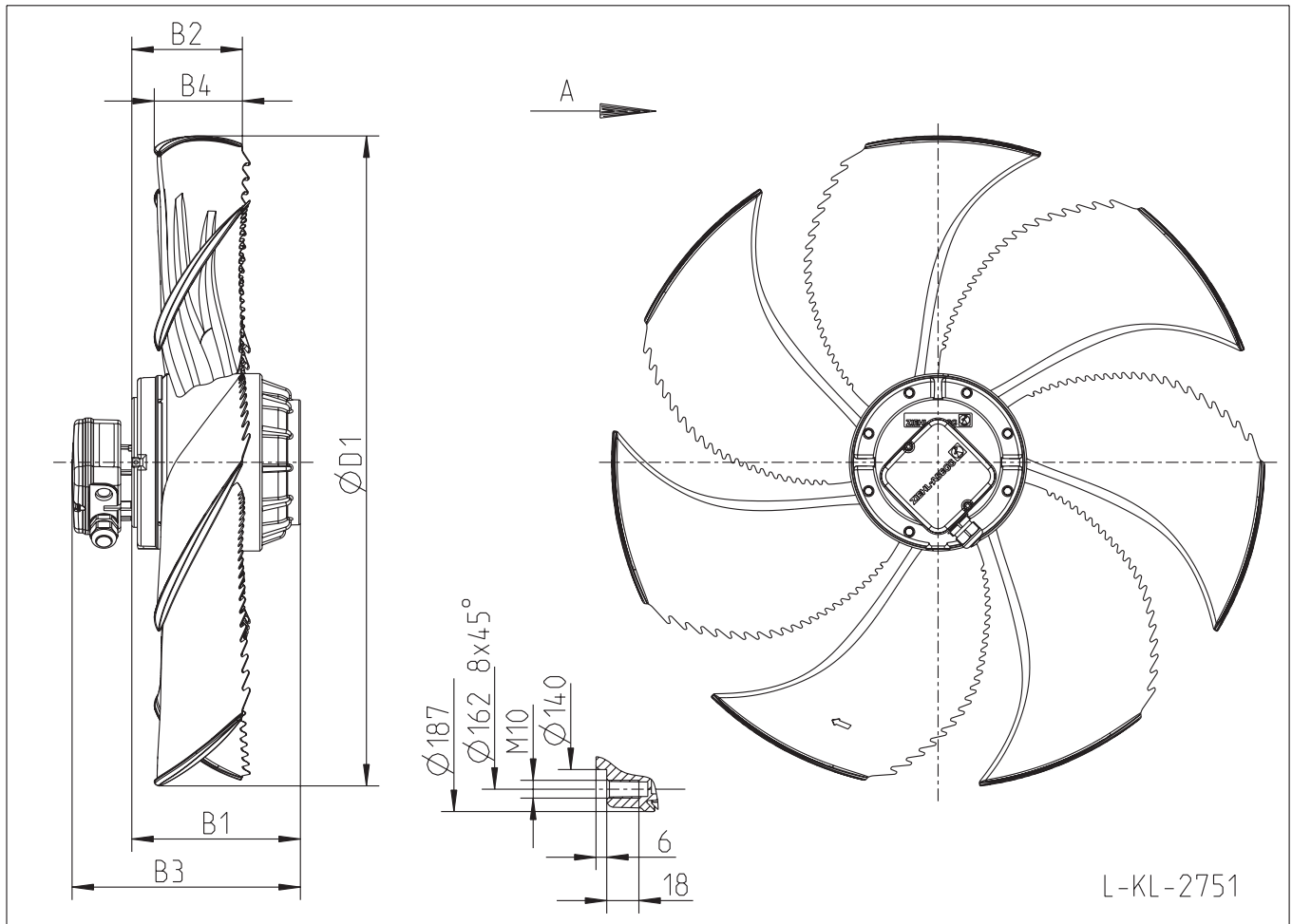
| Typ<br>Type       | Artikel-Nr.<br>Article no. | Bauform<br>Design | Luftförderrichtung<br>Airflow direction | Gewicht<br>Weight | Anschlussschaltbild<br>Connection diagram | Maßblatt<br>Dimension sheet | Seite<br>Page |
|-------------------|----------------------------|-------------------|---|-------------------|---|-----------------------------|---------------|
| FN071-NDA.6F.A7P1 | 141 756                    | A                 | A                                       | 17 kg             | 108XB                                     | L-KL-2751                   | 76            |
| FN071-NDD.6F.A7P1 | 141 757                    | D                 | A                                       | 21 kg             | 108XB                                     | L-KL-2752                   | 77            |
| FN071-NDQ.6F.A7P1 | 141 758                    | Q                 | A                                       | 32 kg             | 108XB                                     | L-KL-2753                   | 78            |
| FN071-NDA.6F.V7P1 | 141 771                    | A                 | V                                       | 17 kg             | 108XA                                     | L-KL-2754                   | 79            |
| FN071-NDK.6F.V7P1 | 141 776                    | K                 | V                                       | 26 kg             | 108XA                                     | L-KL-2749                   | 80            |
| FN071-NDQ.6F.V7P1 | 141 781                    | Q                 | V                                       | 34 kg             | 108XA                                     | L-KL-2756                   | 82            |
| FN071-NDS.6F.V7P1 | 141 786                    | S                 | V                                       | 23 kg             | 108XA                                     | L-KL-2755                   | 81            |
| FN071-NDF.6F.V7P1 | 141 791                    | F                 | V                                       | 33 kg             | 108XA                                     | L-KL-2750                   | 83            |

# FE2owlet

**FN071- DA.6 A7P**

|   |                               |
|---|-------------------------------|
| Luffförrichtung<br><i>Airflow direction</i>   | <b>A</b>                      |
| Bauform<br><i>Design</i>                      | <b>A</b>                      |
| Flügelmaterial<br><i>Material of impeller</i> | Aluminium<br><i>Aluminium</i> |

**FN  
071**



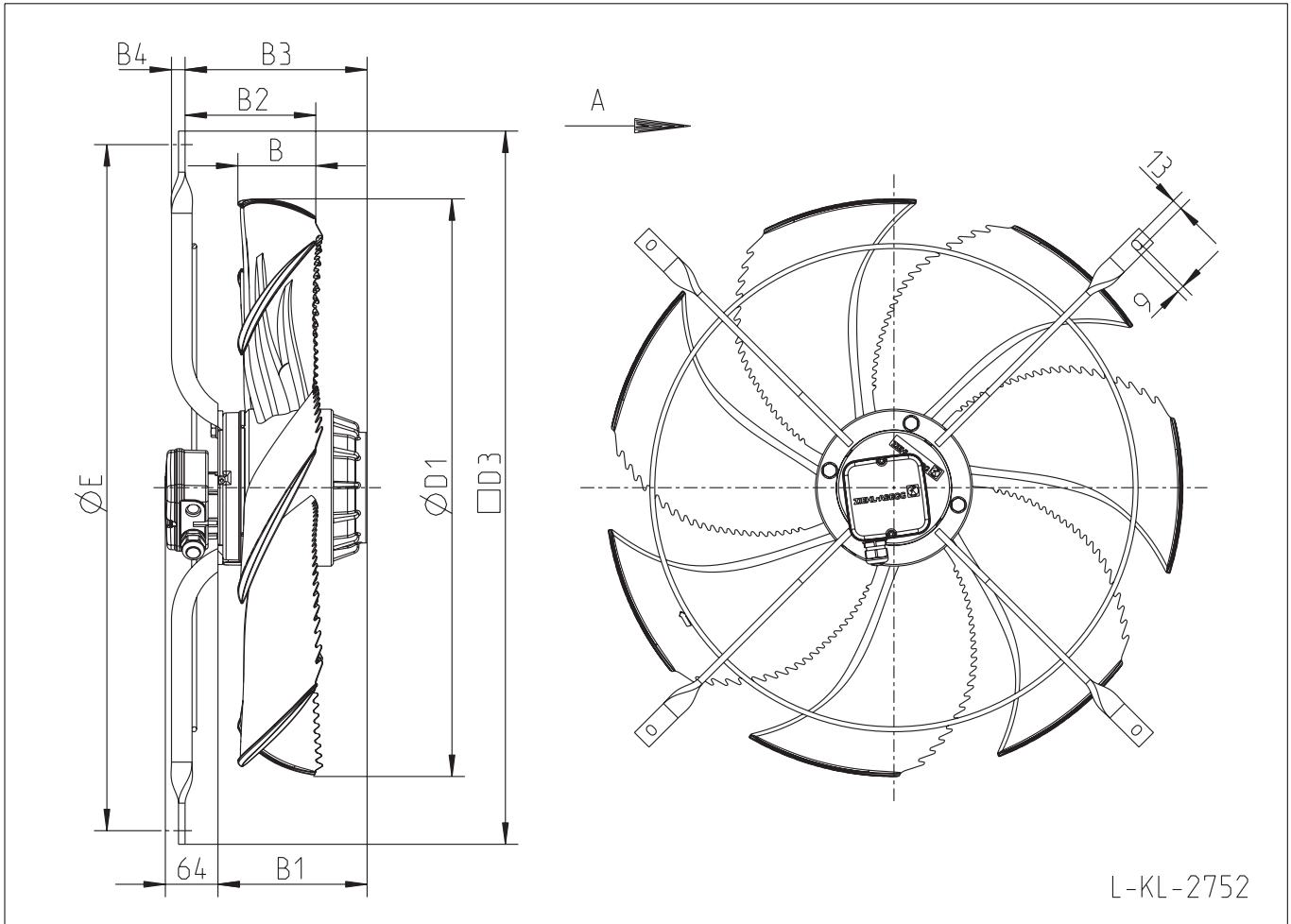
L-KL-2751

| Typ<br>Type              | Artikel-Nr.<br>Article no. | B1  | B2  | B3  | B4 | D1  |
|--------------------------|----------------------------|-----|-----|-----|----|-----|
| <b>FN071-VDA.6N.A7P2</b> | <b>141 759</b>             | 208 | 120 | 272 | 69 | 703 |
| <b>FN071-SDA.6F.A7P1</b> | <b>141 747</b>             | 162 | 119 | 226 | 95 | 703 |
| <b>FN071-SDA.6K.A7P1</b> | <b>141 750</b>             | 182 | 119 | 246 | 95 | 703 |
| <b>FN071-ADA.6F.A7P1</b> | <b>141 753</b>             | 162 | 119 | 226 | 95 | 703 |
| <b>FN071-NDA.6F.A7P1</b> | <b>141 756</b>             | 162 | 119 | 226 | 95 | 703 |

# FE2owlet

**FN071- DD.6 .A7P**

|   |                               |
|---|-------------------------------|
| Luffförrichtung<br><i>Airflow direction</i>   | <b>A</b>                      |
| Bauform<br><i>Design</i>                      | <b>D</b>                      |
| Flügelmaterial<br><i>Material of impeller</i> | Aluminium<br><i>Aluminium</i> |



**FN  
071**

## L-KL-2752

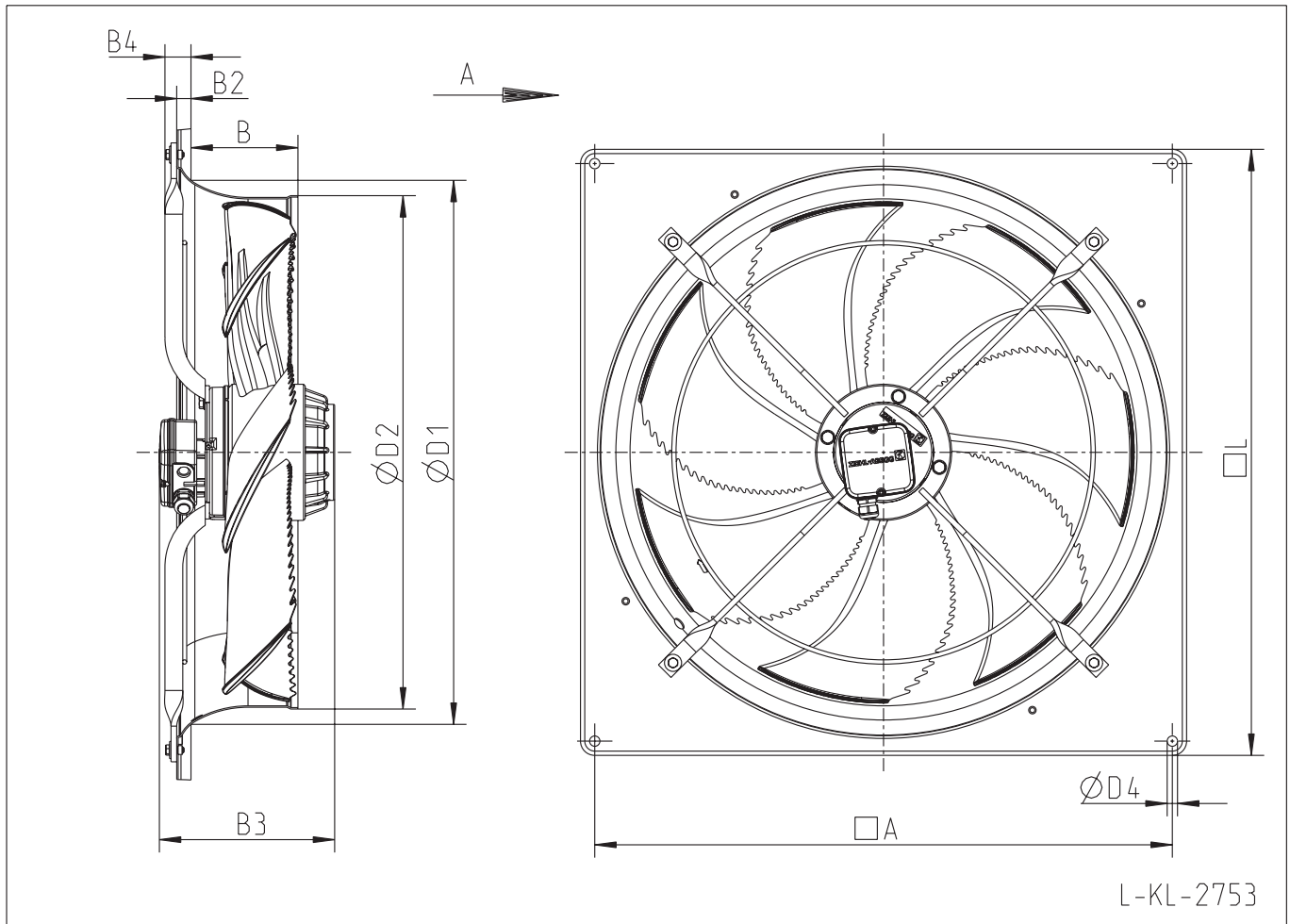
| Typ<br>Type              | Artikel-Nr.<br>Article no. | B  | B1  | B2  | B3  | B4   | D1  | D3  | E   |
|--------------------------|----------------------------|----|-----|-----|-----|------|-----|-----|-----|
| <b>FN071-VDD.6N.A7P2</b> | <b>141 760</b>             | 69 | 208 | 159 | 248 | 16,5 | 703 | 868 | 835 |
| <b>FN071-SDD.6F.A7P1</b> | <b>141 748</b>             | 95 | 162 | 159 | 201 | 16,5 | 703 | 868 | 835 |
| <b>FN071-SDD.6K.A7P1</b> | <b>141 751</b>             | 95 | 182 | 159 | 222 | 16,5 | 703 | 868 | 835 |
| <b>FN071-ADD.6F.A7P1</b> | <b>141 754</b>             | 95 | 162 | 159 | 201 | 16,5 | 703 | 868 | 835 |
| <b>FN071-NDD.6F.A7P1</b> | <b>141 757</b>             | 95 | 162 | 159 | 201 | 16,5 | 703 | 868 | 835 |

# FE2owlet

**FN071- \_DQ.6\_.A7P\_**

|   |                               |
|---|-------------------------------|
| Luffföderung<br><i>Airflow direction</i>      | <b>A</b>                      |
| Bauform<br><i>Design</i>                      | <b>Q</b>                      |
| Flügelmaterial<br><i>Material of impeller</i> | Aluminium<br><i>Aluminium</i> |

**FN  
071**



L-KL-2753

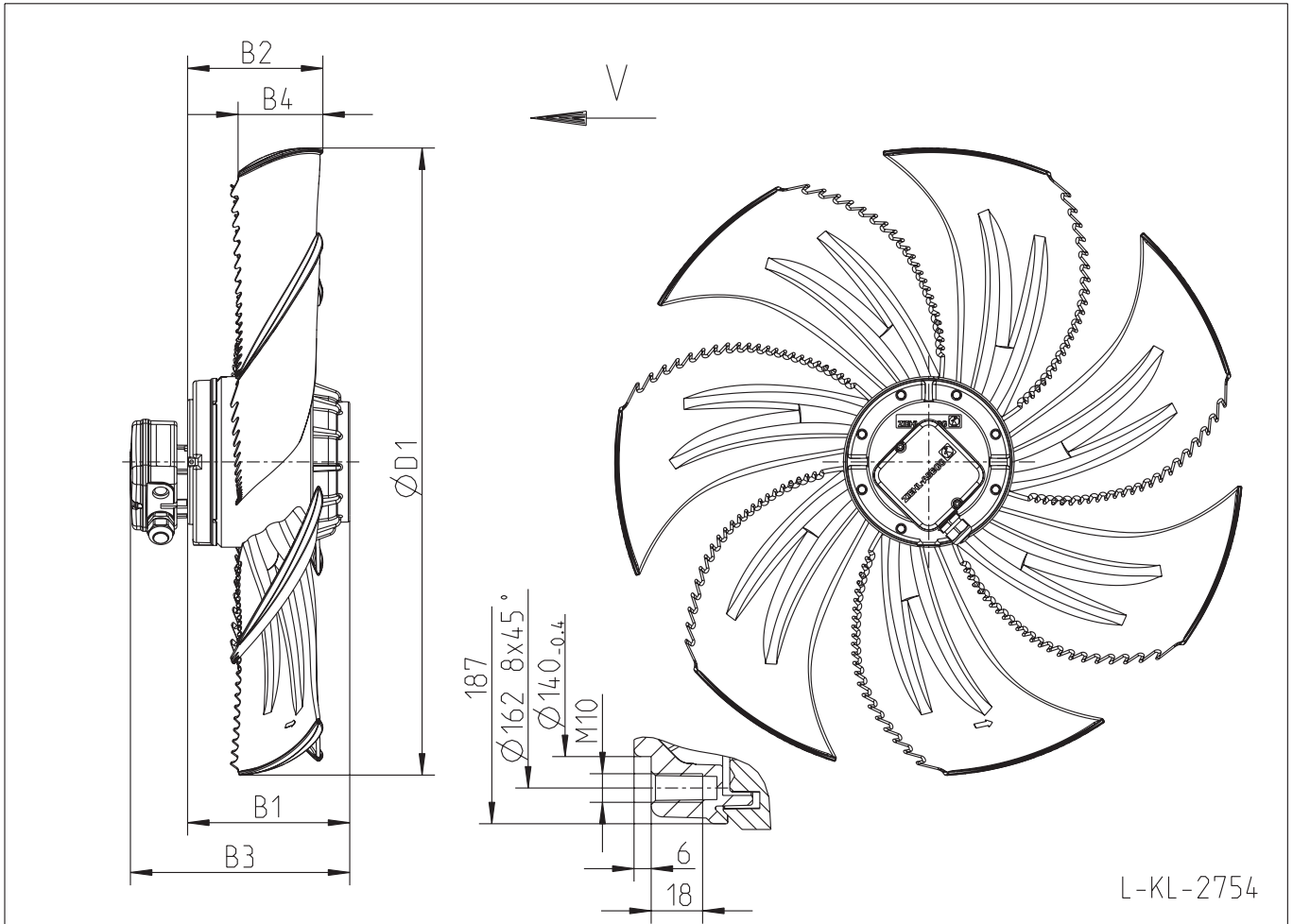
| Typ<br><i>Type</i> | Artikel-Nr.<br><i>Article no.</i> | B   | B2 | B3  | B4 | D1  | D2  | D4   | A   | L   |
|--------------------|-----------------------------------|-----|----|-----|----|-----|-----|------|-----|-----|
| FN071-VDQ.6N.A7P2  | 141 761                           | 150 | 20 | 272 | 37 | 763 | 720 | 14,5 | 810 | 850 |
| FN071-SDQ.6F.A7P1  | 141 749                           | 150 | 20 | 226 | 37 | 763 | 720 | 14,5 | 810 | 850 |
| FN071-SDQ.6K.A7P1  | 141 752                           | 150 | 20 | 246 | 37 | 763 | 720 | 14,5 | 810 | 850 |
| FN071-ADQ.6F.A7P1  | 141 755                           | 150 | 20 | 226 | 37 | 763 | 720 | 14,5 | 810 | 850 |
| FN071-NDQ.6F.A7P1  | 141 758                           | 150 | 20 | 226 | 37 | 763 | 720 | 14,5 | 810 | 850 |



# FE2owlet

**FN071- DA.6 .V7P\_**

|  |                        |
|--|------------------------|
| Luffförrichtung<br>Airflow direction   | <b>V</b>               |
| Bauform<br>Design                      | <b>A</b>               |
| Flügelmaterial<br>Material of impeller | Aluminium<br>Aluminium |



**FN  
071**

## L-KL-2754

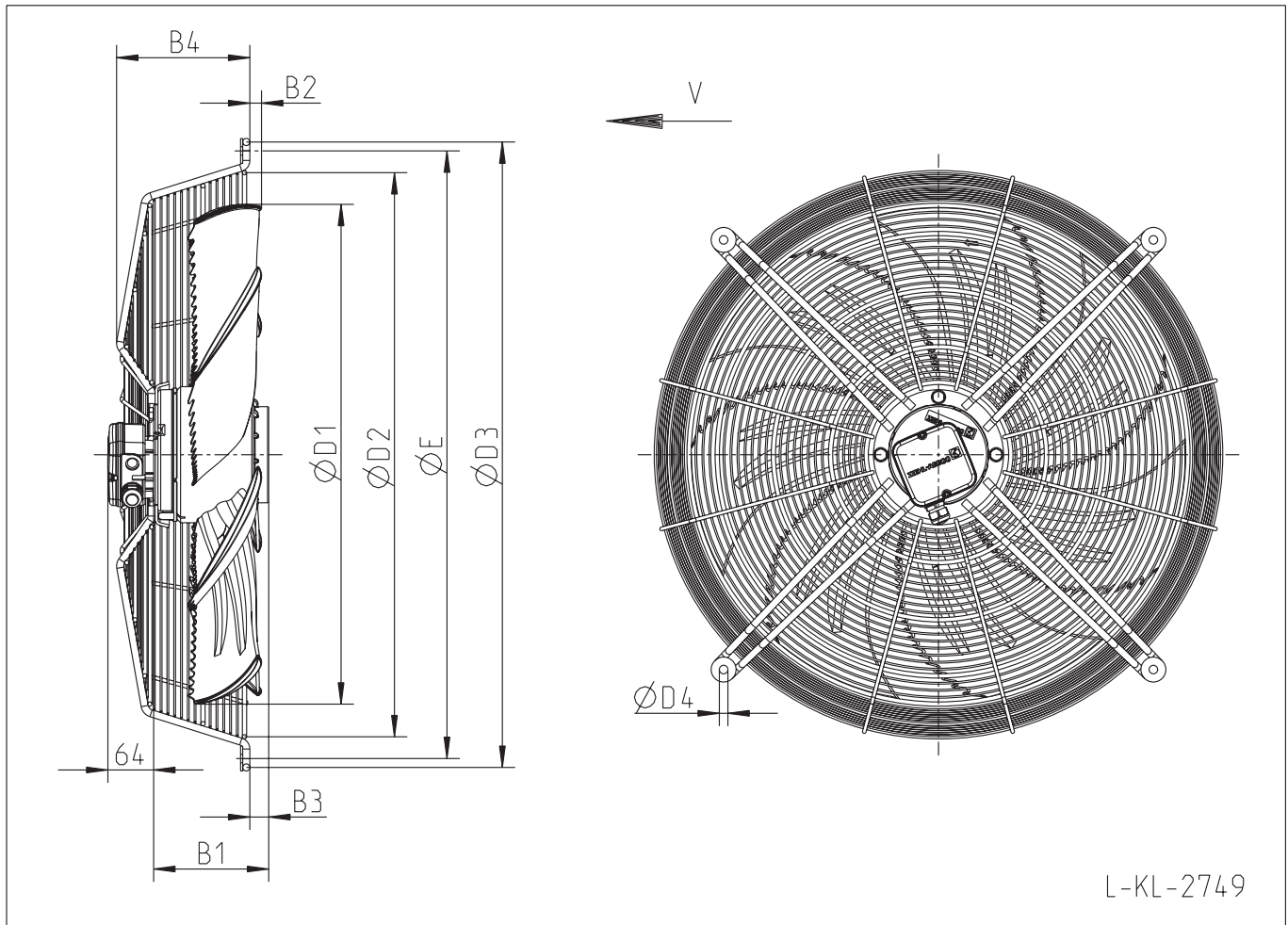
| Typ<br>Type              | Artikel-Nr.<br>Article no. | B1  | B2  | B3  | B4 | D1  |
|--------------------------|----------------------------|-----|-----|-----|----|-----|
| <b>FN071-VDA.6N.V7P2</b> | <b>141 767</b>             | 208 | 124 | 272 | 69 | 703 |
| <b>FN071-SDA.6F.V7P1</b> | <b>141 768</b>             | 162 | 151 | 226 | 95 | 703 |
| <b>FN071-SDA.6K.V7P1</b> | <b>141 769</b>             | 182 | 151 | 246 | 95 | 703 |
| <b>FN071-ADA.6F.V7P1</b> | <b>141 770</b>             | 162 | 151 | 226 | 95 | 703 |
| <b>FN071-NDA.6F.V7P1</b> | <b>141 771</b>             | 162 | 151 | 226 | 95 | 703 |

# FE2owlet

**FN071- DK.6 .V7P\_**

|   |                               |
|---|-------------------------------|
| Luffförrichtung<br><i>Airflow direction</i>   | <b>V</b>                      |
| Bauform<br><i>Design</i>                      | <b>K</b>                      |
| Flügelmaterial<br><i>Material of impeller</i> | Aluminium<br><i>Aluminium</i> |

**FN  
071**



L-KL-2749

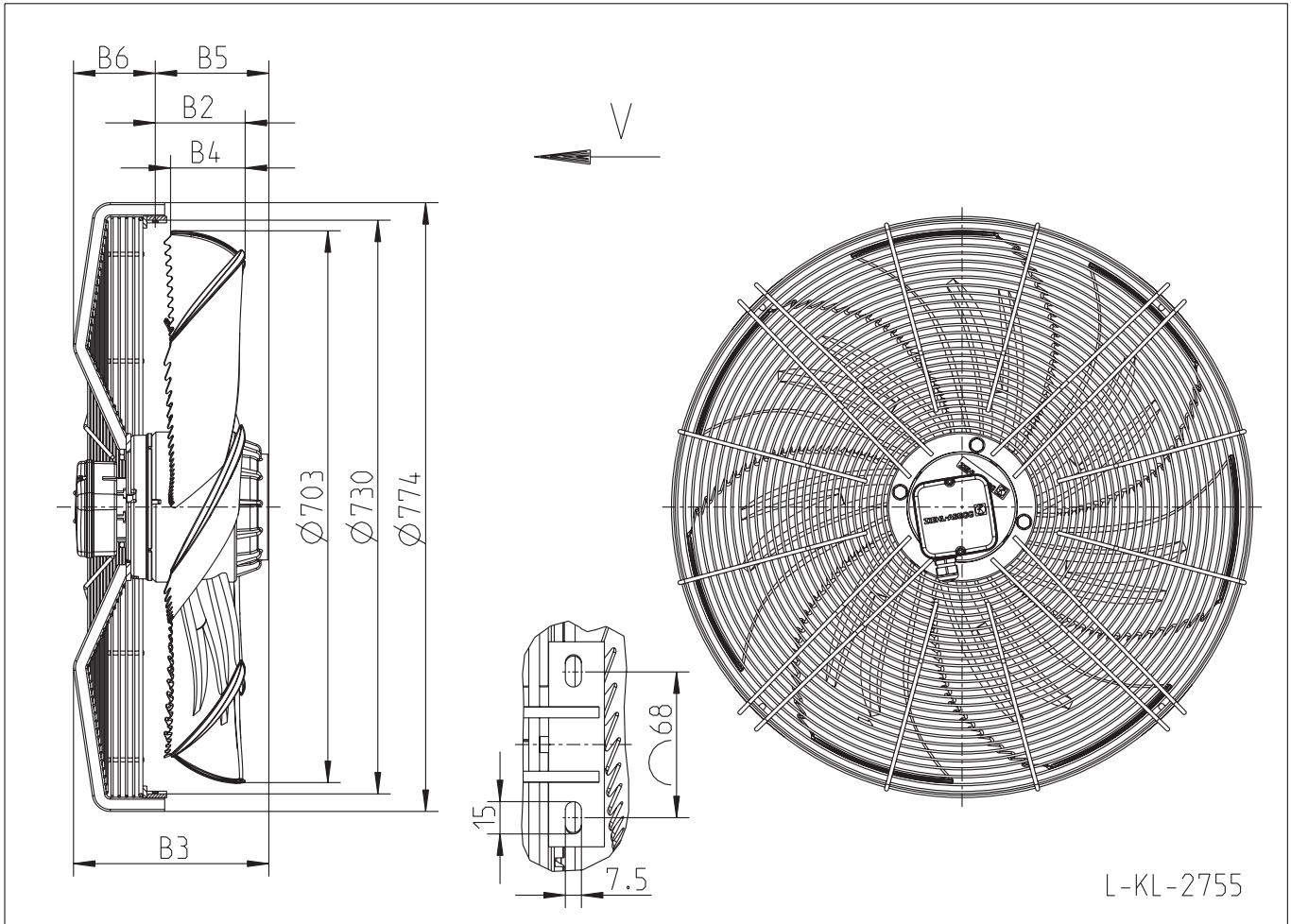
| Typ<br>Type                     | Artikel-Nr.<br>Article no. | B1         | B2        | B3        | B4         | D1         | D2         | D3         | E          |
|---------------------------------|----------------------------|------------|-----------|-----------|------------|------------|------------|------------|------------|
| FN071-VDK.6N.V7P2 <sup>1)</sup> | 141 772                    | 208        | -         | -         | -          | 703        | -          | -          | 853        |
| <b>FN071-SDK.6F.V7P1</b>        | <b>141 773</b>             | <b>162</b> | <b>16</b> | <b>27</b> | <b>187</b> | <b>703</b> | <b>786</b> | <b>888</b> | <b>853</b> |
| FN071-SDK.6K.V7P1               | 141 774                    | 182        | 16        | 47        | 187        | 703        | 786        | 888        | 853        |
| FN071-ADK.6F.V7P1               | 141 775                    | 162        | 16        | 27        | 187        | 703        | 786        | 888        | 853        |
| FN071-NDK.6F.V7P1               | 141 776                    | 162        | 16        | 27        | 187        | 703        | 786        | 888        | 853        |

<sup>1)</sup> auf Anfrage / on request

# FE2owlet

**FN071- DS.6 .V7P\_**

|   |                               |
|---|-------------------------------|
| Luffförrichtung<br><i>Airflow direction</i>   | <b>V</b>                      |
| Bauform<br><i>Design</i>                      | <b>S</b>                      |
| Flügelmaterial<br><i>Material of impeller</i> | Aluminium<br><i>Aluminium</i> |



**FN  
071**

## L-KL-2755

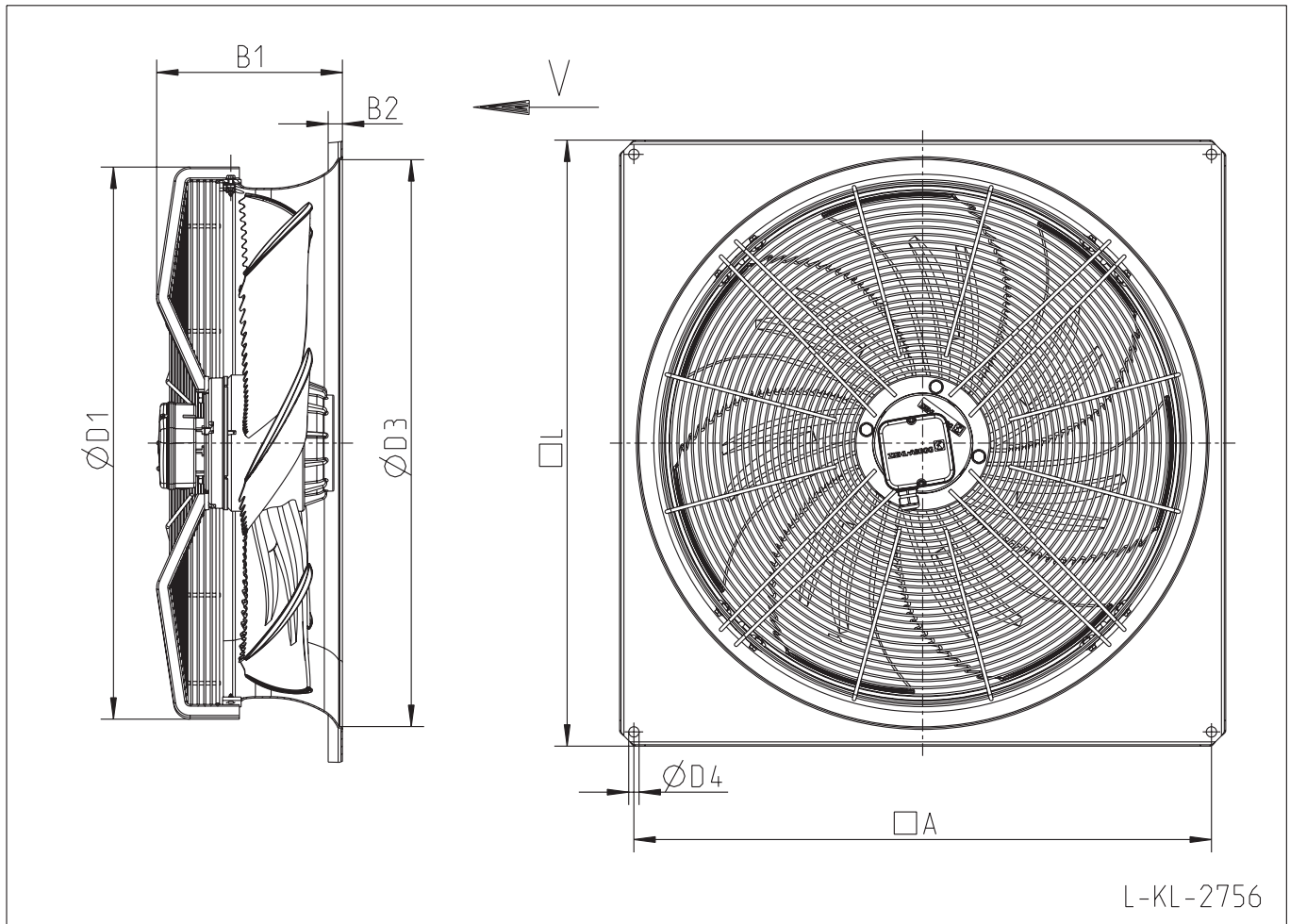
| Typ<br>Type              | Artikel-Nr.<br>Article no. | B2  | B3  | B4 | B5  | B6  | D1  | D2  | D3  |
|--------------------------|----------------------------|-----|-----|----|-----|-----|-----|-----|-----|
| <b>FN071-VDS.6N.V7P2</b> | <b>141 782</b>             | 88  | 272 | 69 | 171 | 104 | 703 | 730 | 774 |
| <b>FN071-SDS.6F.V7P1</b> | <b>141 783</b>             | 114 | 226 | 95 | 125 | 104 | 703 | 730 | 774 |
| <b>FN071-SDS.6K.V7P1</b> | <b>141 784</b>             | 114 | 246 | 95 | 145 | 104 | 703 | 730 | 774 |
| <b>FN071-ADS.6F.V7P1</b> | <b>141 785</b>             | 114 | 226 | 95 | 125 | 104 | 703 | 730 | 774 |
| <b>FN071-NDS.6F.V7P1</b> | <b>141 786</b>             | 114 | 226 | 95 | 125 | 104 | 703 | 730 | 774 |

# FE2owlet

**FN071- \_DQ.6\_.V7P\_**

|   |                               |
|---|-------------------------------|
| Luffförrichtung<br><i>Airflow direction</i>   | <b>V</b>                      |
| Bauform<br><i>Design</i>                      | <b>Q</b>                      |
| Flügelmaterial<br><i>Material of impeller</i> | Aluminium<br><i>Aluminium</i> |

**FN  
071**



L-KL-2756

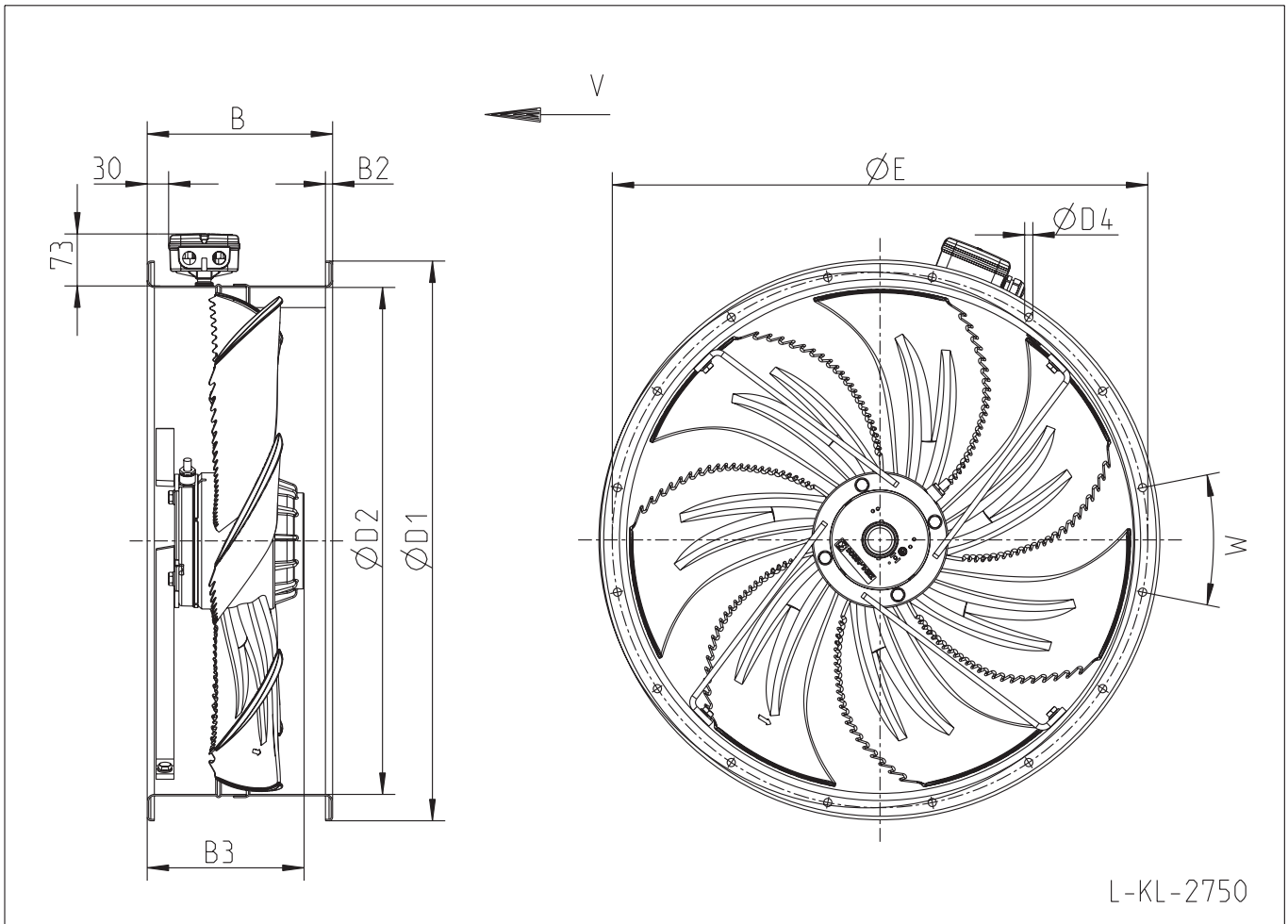
L-KL-2756

| Typ<br><i>Type</i> | Artikel-Nr.<br><i>Article no.</i> | A   | B2 | B1  | D1  | D3  | D4   | L   |
|--------------------|-----------------------------------|-----|----|-----|-----|-----|------|-----|
| FN071-VDQ.6F.V7P2  | 141 777                           | 810 | 20 | 261 | 774 | 795 | 14,5 | 850 |
| FN071-SDQ.6F.V7P1  | 141 778                           | 810 | 20 | 261 | 774 | 795 | 14,5 | 850 |
| FN071-SDQ.6K.V7P1  | 141 779                           | 810 | 20 | 261 | 774 | 795 | 14,5 | 850 |
| FN071-ADQ.6F.V7P1  | 141 780                           | 810 | 20 | 261 | 774 | 795 | 14,5 | 850 |
| FN071-NDQ.6F.V7P1  | 141 781                           | 810 | 20 | 261 | 774 | 795 | 14,5 | 850 |

# FE2owlet

**FN071- DF.6 .V7P**

|   |                               |
|---|-------------------------------|
| Luffförrichtung<br><i>Airflow direction</i>   | <b>V</b>                      |
| Bauform<br><i>Design</i>                      | <b>F</b>                      |
| Flügelmaterial<br><i>Material of impeller</i> | Aluminium<br><i>Aluminium</i> |



**FN  
071**

## L-KL-2750

| Typ<br><i>Type</i>       | Artikel-Nr.<br><i>Article no.</i> | B   | B2 | B3  | D1  | D2  | D4   | E   | W       |
|--------------------------|-----------------------------------|-----|----|-----|-----|-----|------|-----|---------|
| <b>FN071-VDF.6N.V7P2</b> | <b>141 787</b>                    | 260 | 10 | 247 | 785 | 711 | 11,5 | 751 | 16x22,5 |
| <b>FN071-SDF.6F.V7P1</b> | <b>141 788</b>                    | 260 | 10 | 200 | 785 | 711 | 11,5 | 751 | 16x22,5 |
| <b>FN071-SDF.6K.V7P1</b> | <b>141 789</b>                    | 260 | 10 | 220 | 785 | 711 | 11,5 | 751 | 16x22,5 |
| <b>FN071-ADF.6F.V7P1</b> | <b>141 790</b>                    | 260 | 10 | 200 | 785 | 711 | 11,5 | 751 | 16x22,5 |
| <b>FN071-NDF.6F.V7P1</b> | <b>141 791</b>                    | 260 | 10 | 200 | 785 | 711 | 11,5 | 751 | 16x22,5 |

**FN**  
**071**