

Data sheets

UL Semi-hermetic reciprocating compressors > UL Standard series / for HFC-HCFC-HFO Blends

Technical data:		
Cylinders	#	4
Displacement @ 60 Hz	m ³ /h [60Hz]	29.63
Motor version[1]		2
Nominal Motor power (HP)		5
Nominal Motor power (kW)		3.7
Motor voltage at 60 Hz[2]	V/ph/Hz	265-290V - 440-480V/3/60Hz DOL
CC Head capacity control steps	%	100%-50%
RSH Head capacity control steps	%	100%-75%
Capacity control: CC + RSH	%	100%-75%-50%-25%
Frequency min	Hz	25
Frequency max[3]	Hz	87
Electric terminal box class protection		IP56
Maximum pressure HP	bar	30
Maximum pressure LP	bar	20.5
Oil type[4]		POE32
Oil charge (3/4 of sight glass)	l	1.6
Lubrication type		Centrifugal
Suction valve (SV)	inch	1 1/8
Discharge valve (DV)	inch	7/8
Net weight	kg	79
Max Length	mm	449
Max Width	mm	286
Max Height	mm	325
Rubber mounts diameter[2]	mm	40
Rubber mounts height	mm	40
Rubber mounts shore	sh	45
Sound power level (-10/45, R404A)[5]	dB(A)	70
Sound pressure level @ 1m (-10/45, R404A)[5]	dB(A)	62
Sound power level (5/50, R404A)	dB(A)	68.5
Compressor body material		Cast Iron
MRA, maximum operating current at 208-230V/60Hz	A	26.6
LRA, maximum starting current at 208-230V/60Hz , DOL	A	132
MRA, maximum operating current at 460V/60Hz	A	12.7
LRA, maximum starting current at 460V/60Hz , DOL motor	A	64
UL Motor type -2DU	V/ph/Hz	208-230/3/60 DOL
UL Motor type -4SU	V/ph/Hz	460/3/60 DOL
LRA, maximum starting current at 208-230V/60Hz - PWS	A	
MRA, maximum operating current at 575V/60Hz	A	
Motor protection		AMS
Oil level sight glass	#	2
Control, diagnostics and protection device		INT69® Diagnose
UL Motor type -5SU	V/ph/Hz	
LRA, maximum starting current at 575V/60Hz DOL	A	

[1] Motor version: 1 = high and mid temperature, all refrigerants; 2 = low and mid temperature, all refrigerants; 3 = ECOinside, low temperature, R134a and R1234ze only

[2] Others available on request

[3] Maximum frequency depends on the working condition: see FSS3 (Frascold selection software)

[4] Different kind of oil available on request

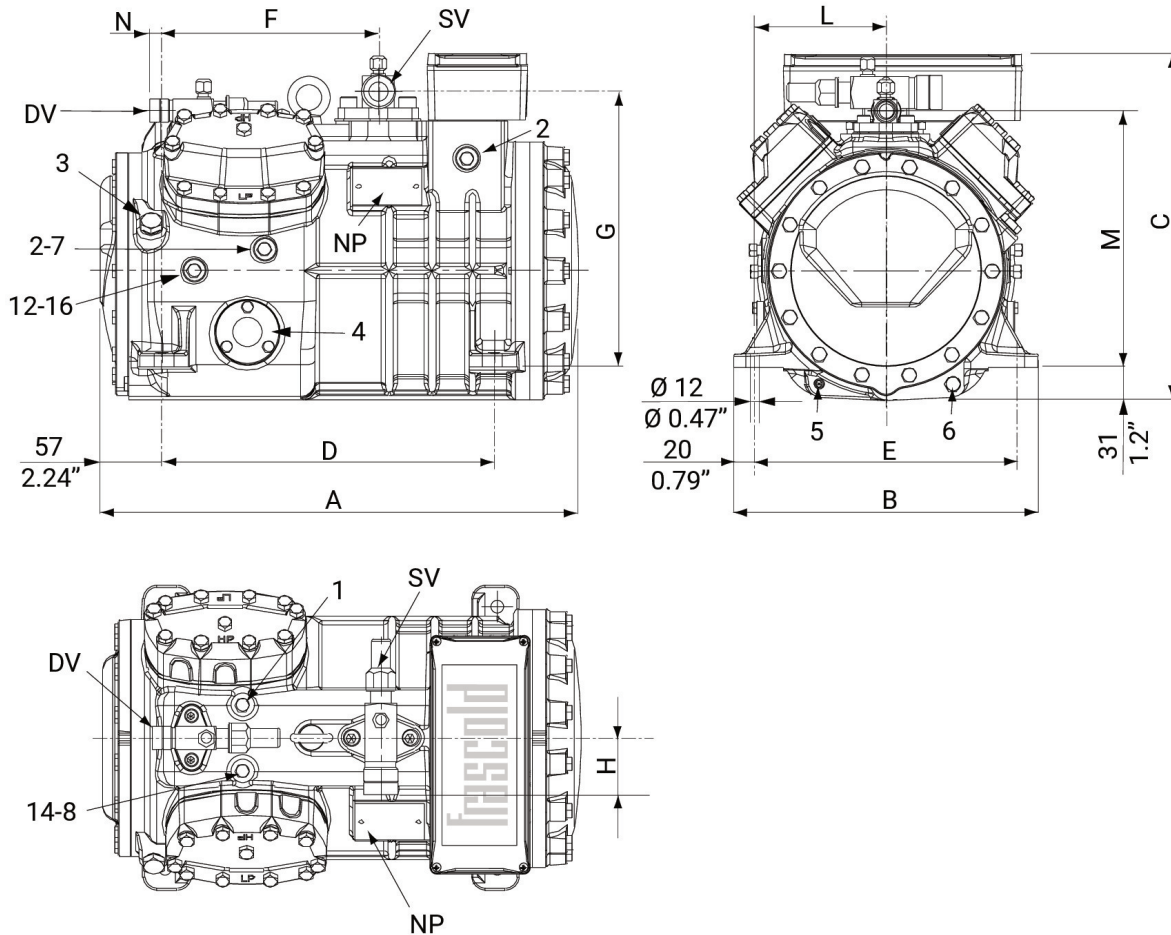
Data sheets

UL Semi-hermetic reciprocating compressors > UL Standard series / for HFC-HCFC-HFO Blends

Accessories:	
Oil heater (230V-70W)	T00CH1-RIC
CC capacity control head 230V AC	T00SK220150
US unloader start head 230V AC	T00SK250150
Optoelectronic oil level switch	T00WK252
Electronic oil level regulator	T00EC1900
Discharge temperature sensor	T00EC50D
Head cooling fan - 230V/1/50-60Hz	SZ-FM9
Kit adapters for oil equalization line - 1" ROT 5/8" ODS	T00SK170200
Kit adapters for oil equalization line - 1"1/4 ROT 1"1/8 ODS	T00SK170300

Data sheets

UL Semi-hermetic reciprocating compressors > UL Standard series / for HFC-HCFC-HFO Blends



Dimensional drawing:

SV Suction valve	mm	28.6
SV Suction valve	inch	1 1/8
DV Discharge valve	mm	22.2
DV Discharge valve	inch	7/8
A Length	mm	449
B Width	mm	286
C Height	mm	325
D Base mounting	mm	312
E Base mounting	mm	246
F Suction valve	mm	203
G Suction valve	mm	258
H Suction valve	mm	53
L Discharge valve	mm	123
M Discharge valve	mm	239
N Discharge valve	mm	17
1 High pressure plug		1/8" NPT

2 Low pressure plug		1/8" NPT
3 Oil charge plug		1/4" GAS
4 Oil level sight glass		-
5 Crankcase heater		-
6 Oil drain plug		M8 x 22
7 Liquid injection valve plug		1/8" NPT
8 Liquid injection sensor plug		1/8" NPT
12 Oil return plug		1/8" NPT
14 Max. discharge temperature sensor		1/8" NPT
16 Crankcase pressure plug		1/8" NPT
DV Discharge valve		-
SV Suction valve		-
NP Name Plate		-