

Data sheets

For HFC/HFO/HCFC refrigerants > Standard and ECOinside series

Technical data:		
Cylinders	#	4
Displacement @ 50 Hz	m ³ /h [50Hz]	35.9
Displacement @ 60 Hz	m ³ /h [60Hz]	43
Motor version[1]		1
Nominal Motor power (HP)		7.5
Nominal Motor power (kW)		5.5
Motor voltage at 50 Hz[2]	V/ph/Hz	220-240V - 380-420V/3/50Hz DOL
Motor voltage at 60 Hz[2]	V/ph/Hz	265-290V - 440-480V/3/60Hz DOL
CC Head capacity control steps	%	100-50
RSH Head capacity control steps	%	100-75-50
MRA, maximum operating current at 400V/50Hz and	A	19.4
LRA, maximum starting current at 230V/50Hz and	A	151.8
LRA, max starting current at 400V/50Hz and 460V/60Hz,	A	87.3
Frequency min	Hz	25
Frequency max[3]	Hz	87
Electric terminal box class protection		IP56
Maximum pressure HP	bar	30
Maximum pressure LP	bar	20.5
Oil type[4]		POE32
Oil charge (3/4 of sight glass)	l	1.6
Lubrication type		Centrifugal
Suction valve (SV)	inch	1 3/8
Discharge valve (DV)	inch	1 1/8
Net weight	kg	79
Max Length	mm	449
Max Width	mm	286
Max Height	mm	328
Rubber mounts diameter[2]	mm	40
Rubber mounts height	mm	40
Rubber mounts shore	sh	45
Sound power level (-10/45, R404A)[5]	dB(A)	73.5
Sound pressure level @ 1m (-10/45, R404A)[5]	dB(A)	65.5
Compressor body material		Cast Iron
Motor protection		AMS
Control, diagnostics and protection device		INT69® Diagnose
Oil level sight glass	#	2
Control and protection device		

[1] Motor version: 1 = high and mid temperature, all refrigerants; 2 = low and mid temperature, all refrigerants; 3 = ECOinside, low temperature, R134a and R1234ze only

[2] Others available on request

[3] Maximum frequency depends on the working condition: see FSS3 (Frascold selection software)

[4] Different kind of oil available on request

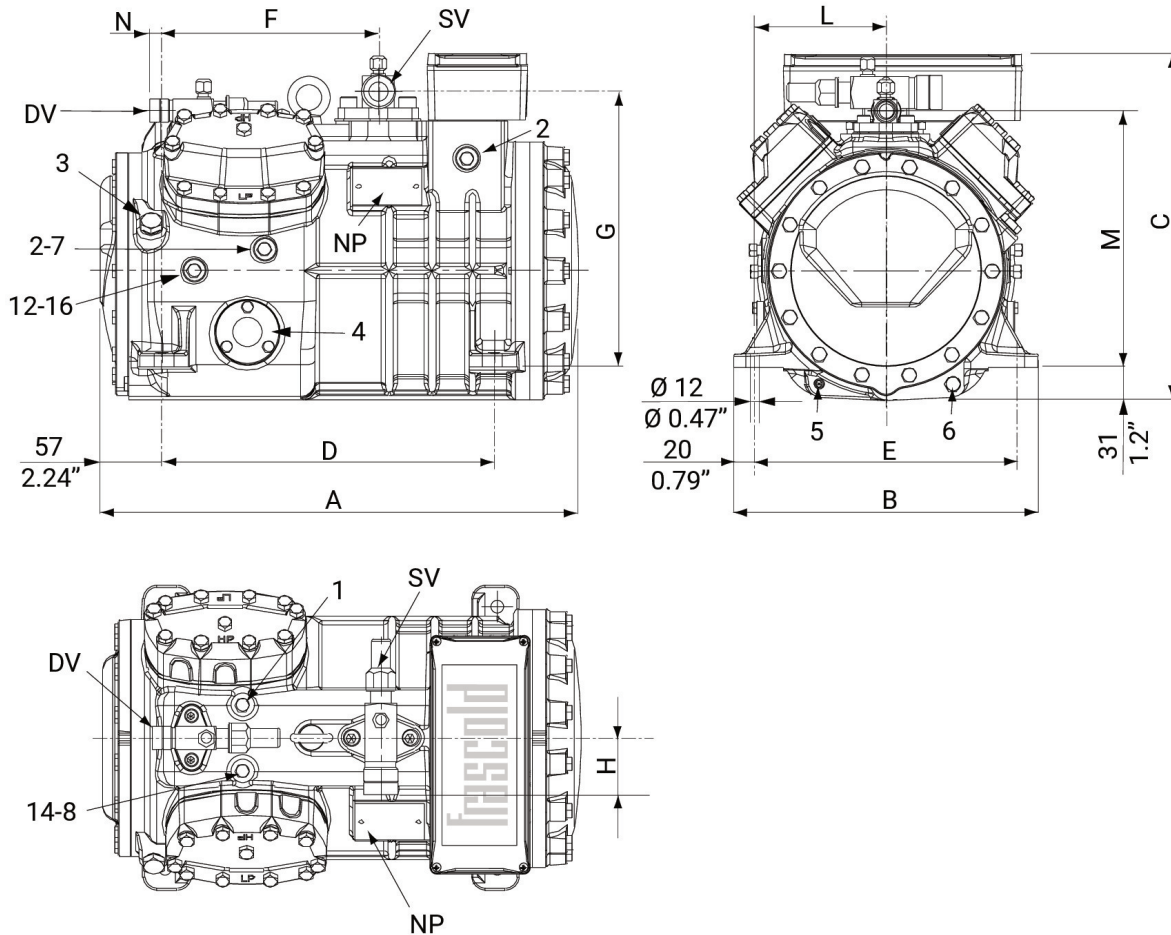
Data sheets

For HFC/HFO/HCFC refrigerants > Standard and ECOinside series

Accessories:	
Water cooled head	T00SK50020
Oil heater (230V-70W)	T00CH1-RIC
Discharge temperature sensor	T00EC50D
RSH capacity control head 230V AC	T00SK220310
CC capacity control head 230V AC	T00SK220150
US unloader start head 230V AC	T00SK250150
Head cooling fan - 230V/1/50-60Hz	SZ-FM9
Electronic oil level regulator	T00EC1900
Kit adapters for oil equalization line - 1" ROT 5/8" ODS	T00SK170200
Kit adapters for oil equalization line - 1"1/4 ROT 1"1/8 ODS	T00SK170300
DP Modbus Gateway	T00EC59
Connection cable Modbus Gateway - INT69	T00EC64
USB adapter cable	T00EC57
FLI electronic liquid injection	SZ-FLI/4

Data sheets

For HFC/HFO/HCFC refrigerants > Standard and ECOinside series



Dimensional drawing:

SV Suction valve	mm	35
DV Discharge valve	mm	28.6
SV Suction valve	inch	1 3/8
DV Discharge valve	inch	1 1/8
A Length	mm	449
B Width	mm	286
C Height	mm	328
D Base mounting	mm	312
E Base mounting	mm	246
F Suction valve	mm	203
G Suction valve	mm	261
H Suction valve	mm	58
L Discharge valve	mm	123
M Discharge valve	mm	239
N Discharge valve	mm	28
1 High pressure plug		1/8" NPT

2 Low pressure plug		1/8" NPT
3 Oil charge plug		1/4" GAS
4 Oil level sight glass		-
5 Crankcase heater		-
6 Oil drain plug		M8 x 22
7 Liquid injection valve plug		1/8" NPT
8 Liquid injection sensor plug		1/8" NPT
12 Oil return plug		1/8" NPT
14 Max. discharge temperature sensor		1/8" NPT
16 Crankcase pressure plug		1/8" NPT
NP Name Plate		-
DV Discharge valve		-
SV Suction valve		-