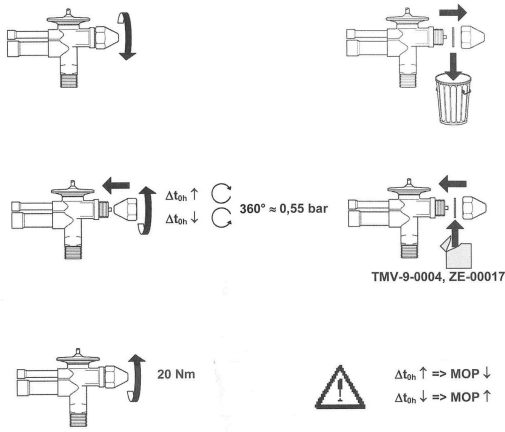


10 $\Delta t_{oh} \neq ok$



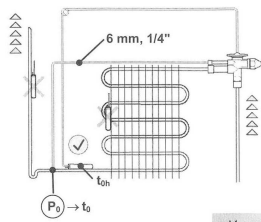
Honeywell

Automation and Control Solutions
 Honeywell GmbH
 Hardthofweg • 74821 Mosbach / Germany
 Phone: +49 (0) 62 61 / 81-475
 Fax: +49 (0) 62 61 / 81-461
 E-Mail: Cooling.Mosbach@honeywell.com
 www.honeywell-cooling.com

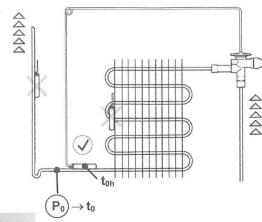
Manufactured for and on behalf of the
 Environmental and Combustion
 Controls Division of Honeywell Technologies Sàrl,
 Z.A. La Pléce 16, 1180 Rolle, Switzerland by its
 authorized representative Honeywell GmbH

Subject to change without notice • MU1H-1900GE23 R1012

4 **TMVX, TMVXBL**

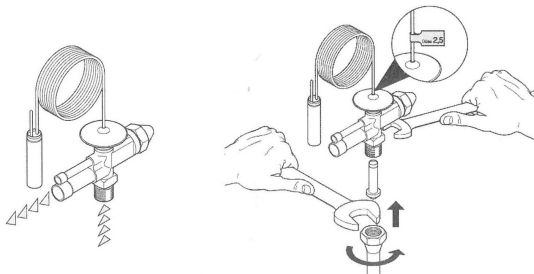


TMV, TMVBL

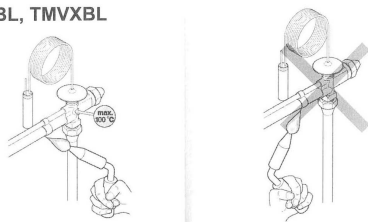


$\Delta t_{oh} = t_{oh} - t_0$
 $\Delta t_{oh} \neq ok \Rightarrow \text{D}$

5



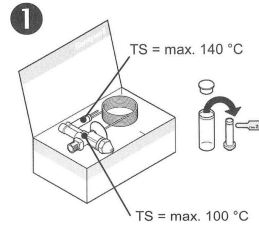
6 **TMVBL, TMVXBL**



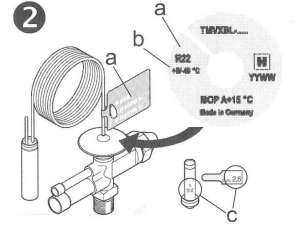
Subject to change without notice • MU1H-1900GE23 R1012

TMV, TMVX, TMVBL, TMVXBL

Einbau-Anleitung • Installation instructions • Instructions de montage
 Istruzioni per il montaggio • Instrucciones de instalación



PS = max. 29 bar
 P_{stat} = max. 32 bar
 $\Delta t_{ch, stat} \approx 3 \text{ K}$

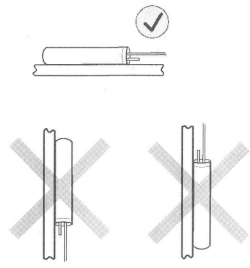
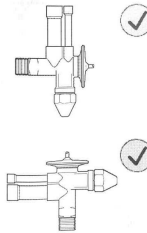


a) R22, R407C, R407A
 R134a, R401A, R12
 R404A, R507, R402A, R407B, R502
 b) $t_{0, max} / t_{0, min}$
 c) 0.3 - 4.75

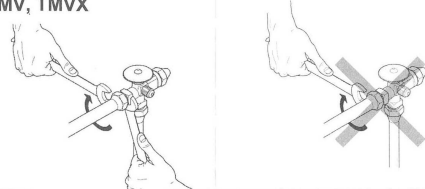
3 **EN 378**

MU1H-1900GE23 R1012

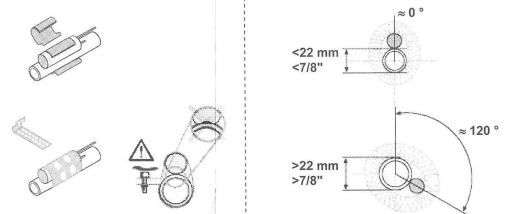
EBA-TMV-01



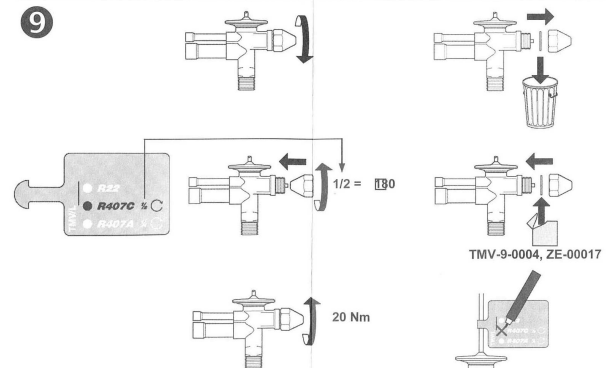
7 **TMV, TMVX**



8



9



Subject to change without notice • MU1H-1900GE23 R1012