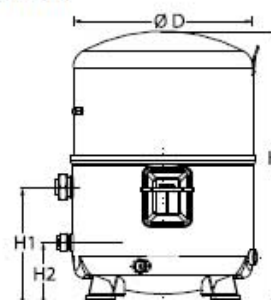


General Characteristics

Model number (on compressor nameplate)		MTZ160HW4VE
Code number for Singlepack*		MTZ160-4VI
Code number for Industrial pack**		MTZ160-4VM
Drawing number		8504011e
Suction and discharge connections		Rotolock
Suction connection		1-3/4" Rotolock
Discharge connection		1-1/4" Rotolock
Suction connection with supplied sleeve		1-1/8" ODF
Discharge connection with supplied sleeve		3/4" ODF
Oil sight glass		Threaded
Oil equalisation connection		3/8" flare SAE
Oil drain connection		None
LP gauge port		Schrader
IPR valve		30 bar / 8 bar
Cylinders		4
Swept volume		271,55 cm ³ /rev
Displacement @ Nominal speed		47.3 m ³ /h @ 2000 rpm - 57.0 m ³ /h @ 3500 rpm
Net weight		69 kg
Oil charge		3,9 litre, POE - 160PZ
Maximum system test pressure Low Side / High side		25 bar(g) / 30 bar(g)
Maximum differential test pressure		30 bar
Maximum number of starts per hour		12
Refrigerant charge limit		10 kg
Approved refrigerants		R404A, R507A, R134a, R407C

Dimensions

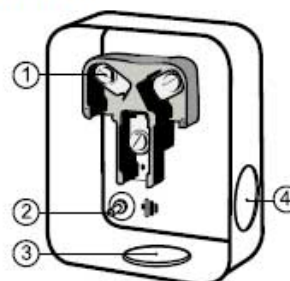


D=352 mm
H=540 mm
H1=233 mm
H2=125 mm

Electrical Characteristics

Nominal voltage	380-400V/3/50Hz - 400V/3/60Hz
Voltage range	340-440 V @ 50Hz - 414-506 V @ 60Hz
Winding resistance (between phases) +/- 7% at 25°C	1.1 #
Maximum Continuous Current (MCC)	30 A
Locked Rotor Amps (LRA)	140 A
Motor protection	Internal overload protector

Terminal box



IP54 (with cable gland)

- 1: Screw connectors 10-32 UNF x 0.5
- 2: Earth M4-12
- 3: Knock-out Ø 20 mm (1.14")
- 4: Knock-out Ø 25.5 mm (1.00")

Recommended Installation torques

Oil sight glass	50 Nm
Power connections / Earth connection	3 Nm / 2 Nm
Mouating bolts	50 Nm

Parts shipped with compressor

Mouating kit with grommets, bolts, nuts, sleeves and washers
Suction & Discharge solder sleeves, rotolock nuts and gaskets (shipped with rotolock version only)
Initial oil charge
Installation instructions

Approvals : CE certified, UL certified (file SA0873), -

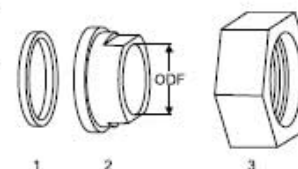
*Singlepack: Compressor in cardboard box

**Industrial pack: 0 Unboxed compressors on pallet (order per multiples of 0)

Rotolock accessories, suction side

	Code no.
Solder sleeve, P02 (1-3/4" Rotolock, 1-1/8" ODF)	8153004
Angle adapter, C02 (1-3/4" Rotolock, 1-1/8" ODF)	8108005
Rotolock valve, V02 (1-3/4" Rotolock, 1-1/8" ODF)	8108028
Gasket, 1-3/4"	8150132

Gaskets, sleeves and nuts



- 1: Gasket
- 2: Solder sleeve
- 3: Rotolock nut

Rotolock accessories, discharge side

	Code no.
Solder sleeve, P04 (1-1/4" Rotolock, 3/4" ODF)	8153008
Angle adapter, C04 (1-1/4" Rotolock, 3/4" ODF)	8108006
Rotolock valve, V04 (1-1/4" Rotolock, 3/4" ODF)	8108029
Gasket, 1-1/4"	8150131

Rotolock accessories, sets

	Code no.
Angle adapter set, C02 (1-3/4"~1-1/8"), C04 (1-1/4"~3/4")	7703014
Valve set, V02 (1-3/4"~1-1/8"), V04 (1-1/4"~3/4")	7703000
Gasket set, 1", 1-1/4", 1-3/4", OSG gaskets black & white	8150000

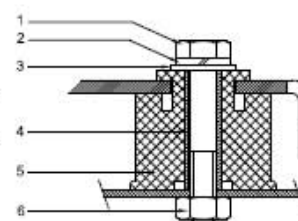
Oil / lubricants

	Code no.
POE lubricant, 160PZ, 1 litre can	7754010
POE lubricant, 160PZ, 2 litre can	7754020

Crankcase heaters

	Code no.
PTC heater 27W, CE mark, UL	120Z0450
Belt type crankcase heater, 75 W, 230 V, CE mark, UL	7773108
Belt type crankcase heater, 75 W, 400 V, CE mark, UL	7773118
Belt type crankcase heater, 75 W, 460 V, CE mark, UL	120Z0404

Mounting kit



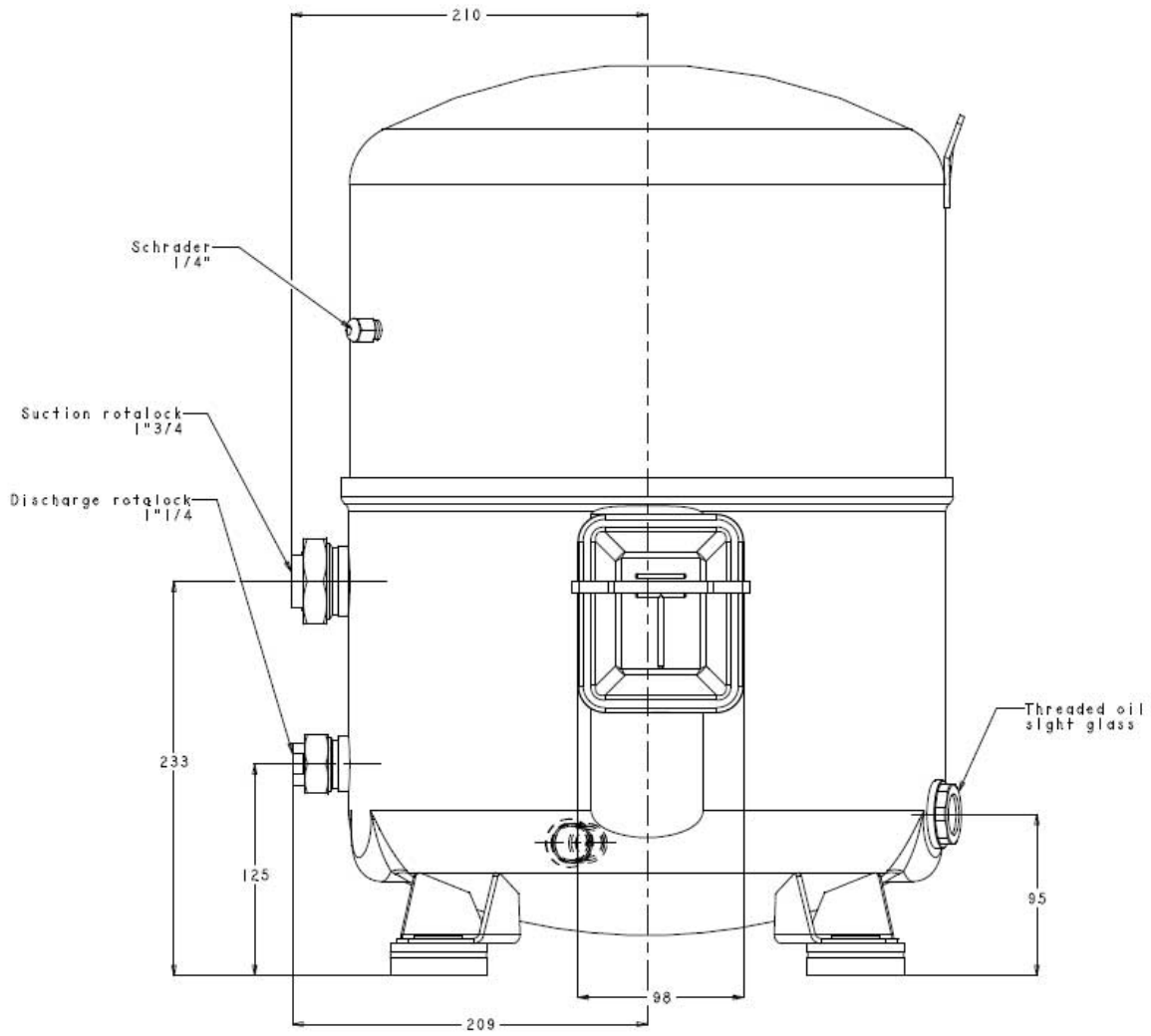
- 1: Bolt (4x)
- 2: Lock washer (4x)
- 3: Flat washer (4x)
- 4: Sleeve (4x)
- 5: Grommet (4x)
- 6: Nut (4x)

Miscellaneous accessories

	Code no.
Electronic soft start kit, MCI 25 C	7705007
Soft start kit with statoric resistors, prewired box, SCR03	7705001
Acoustic hood for 4 cylinder compressor	120Z0473
Oil equalisation nut	8153127

Spare parts

	Code no.
Mounting kit for 4 cylinder compressor & MS, including 4 grommets, 4 bolts	8150007
Oil sight glass with gaskets (black & white)	8150010
Gasket for oil sight glass (black chloroprene)	8150145
Service kit for terminal box 90 x 115 mm, including 1 cover, 1 clamp, 1 T block connector 52 x 57 mm	8150135
T block connector 52 x 57 mm	8173230



Silent bloc

Grommet compression not included around 1 mm.

Compressors

- MT/MTZ 144-3/4/6/7/9
- MT/MTZ 160-3/4/6/7/9
- VTZ 242-G/H

